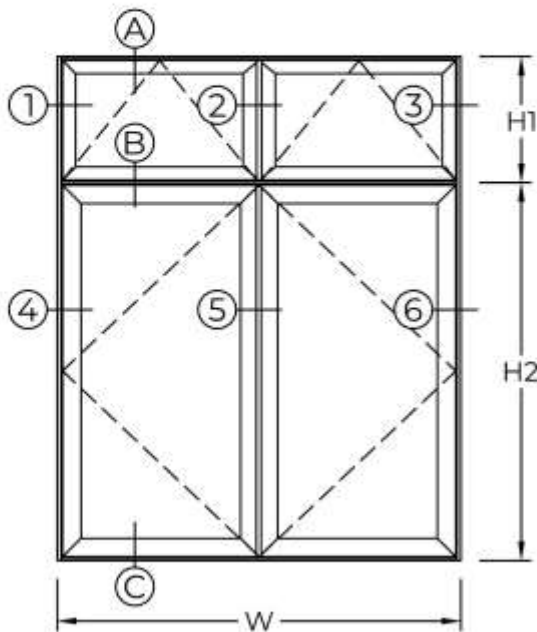


Casement Window AW3-70.BO

Top Hung & Casement with Dummy Mullion

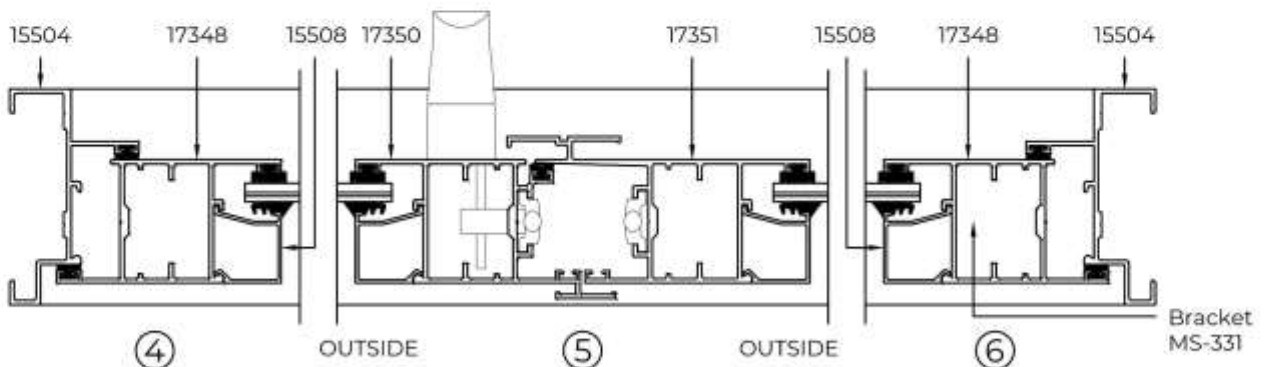
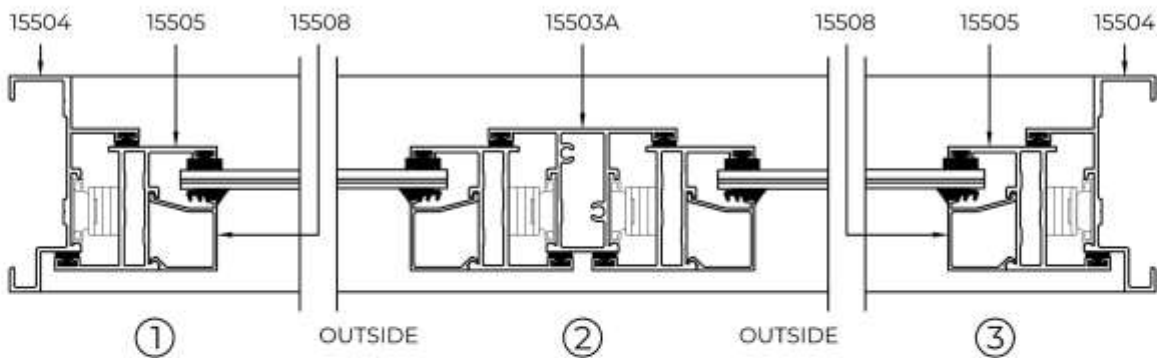
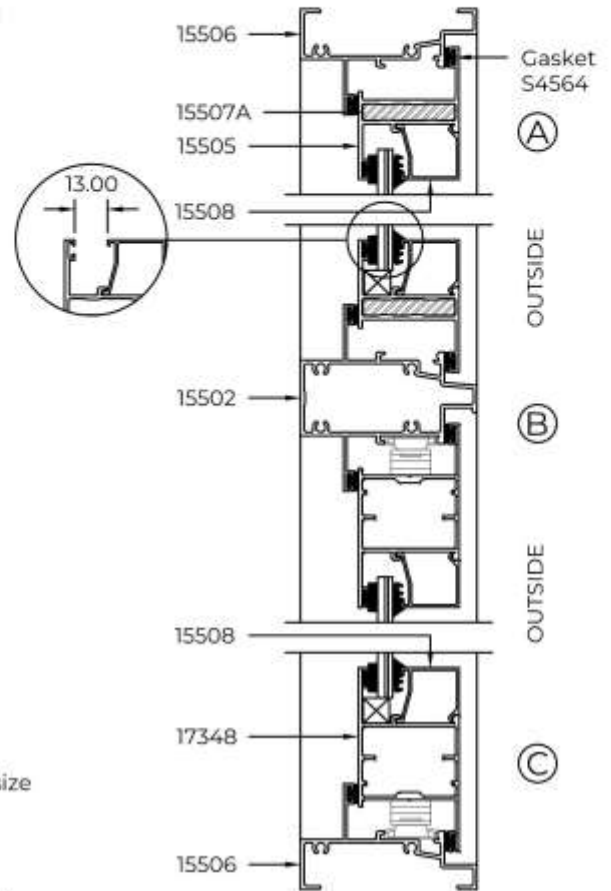


Recommended

- H1: 500 MM
- H2: 1500 MM
- W: 1600 MM
- Glass Thk: 6 - 24 MM

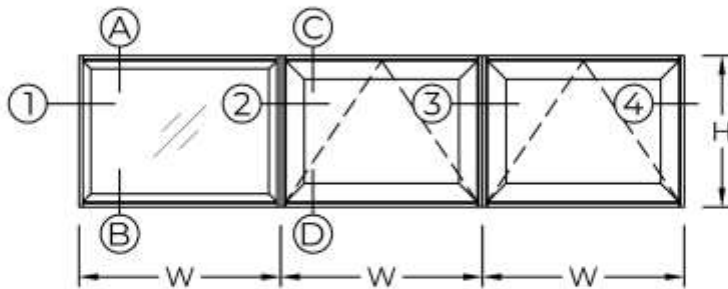
Key Features

- ✓ Option for 3 types of inner size
- ✓ Improved water drainage design
- ✓ Increased overlap to prevent water penetration



Casement Window AW3-70/80.BO

Top Hung & Fixed Window

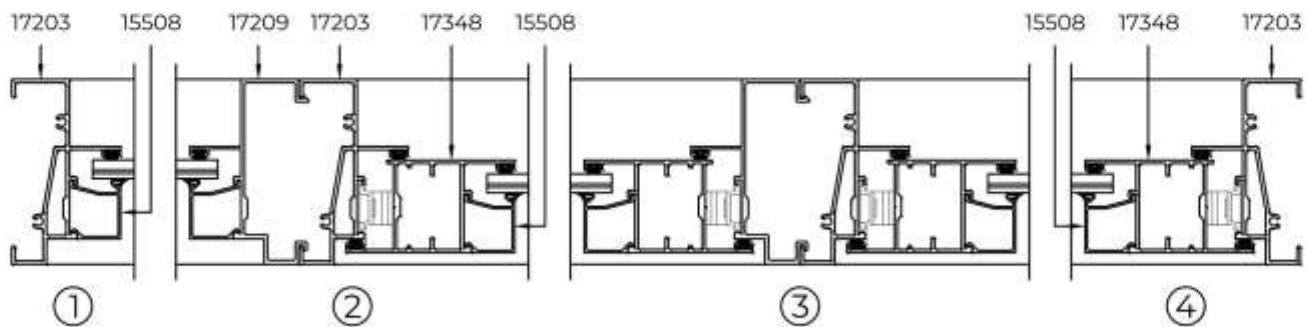
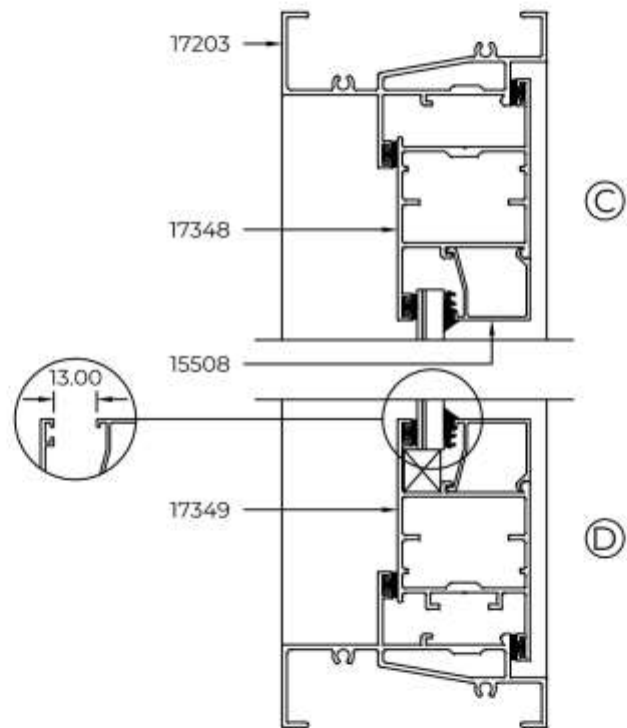
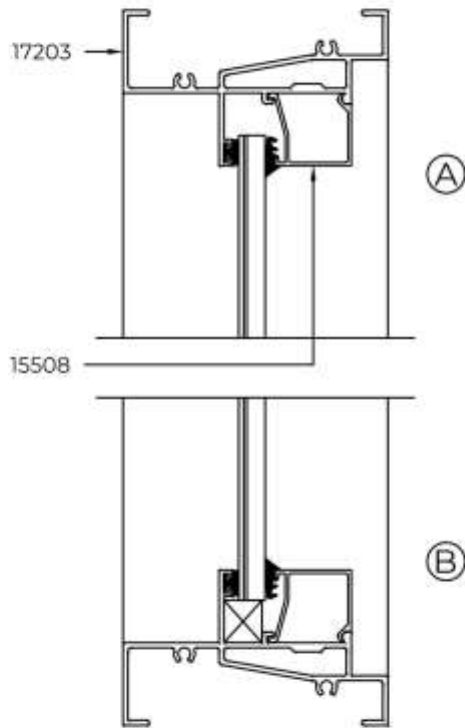


Recommended

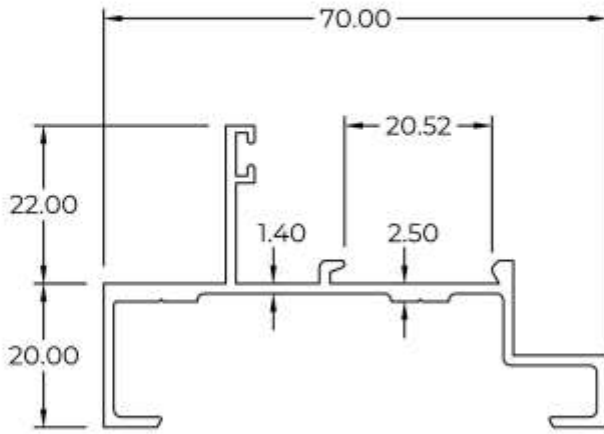
H: 600 MM
W: 800 MM
Glass Thk: 6 - 24 MM

Key Features

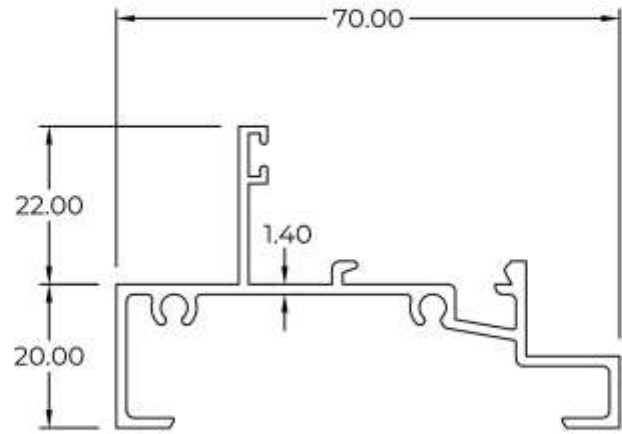
- ✓ Modular
- ✓ 80MM width to fit SD80 Sliding series
- ✓ Inner with euro groove for multipoint lock



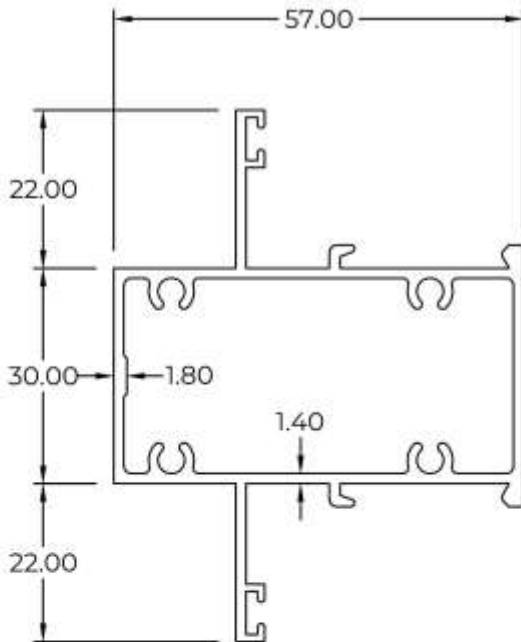
Casement Window AW3-70.BO



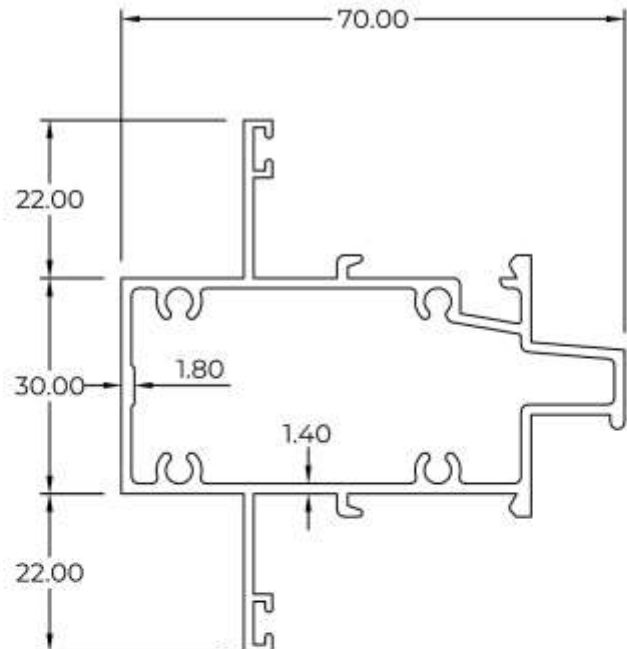
Outer Vertical
15504
 WT : 0.663 KG/M



Outer Horizontal
15506
 WT : 0.687 KG/M



Mullion
15893
 WT : 1.093 KG/M

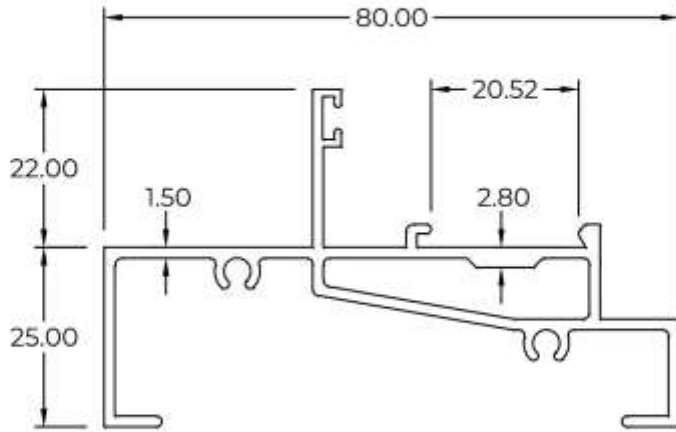


Transom
15502
 WT : 1.196 KG/M

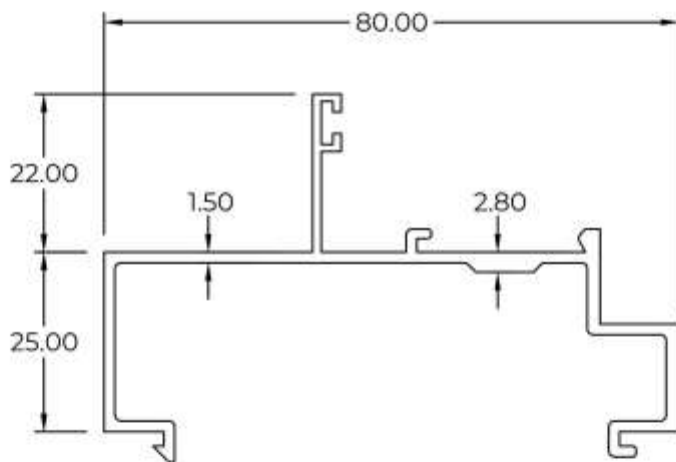
Casement Window AW3-80.B0

Recommended

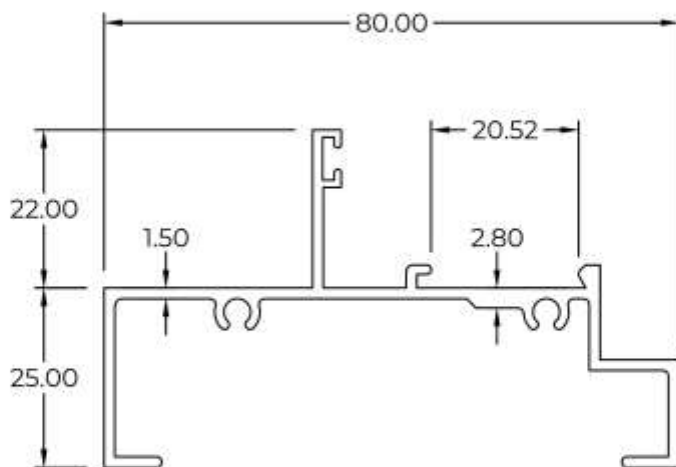
- To match with SD80 Sliding Series



Outer
17203
 WT : 1.025 KG/M



Mullion (for Modular Frames)
17209
 WT : 0.833 KG/M

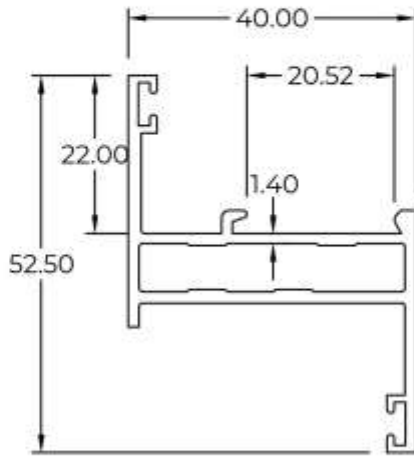


Outer
17210
 WT : 0.814 KG/M

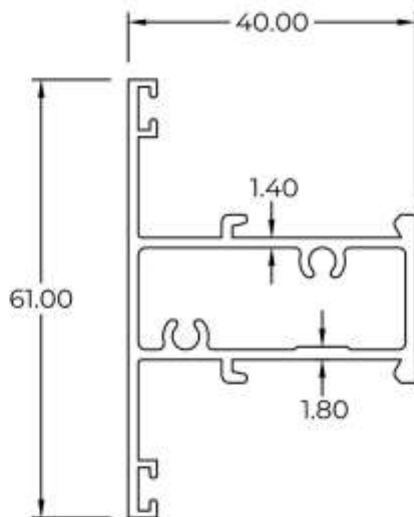
Casement Window AW3-70/80.BO

Recommended

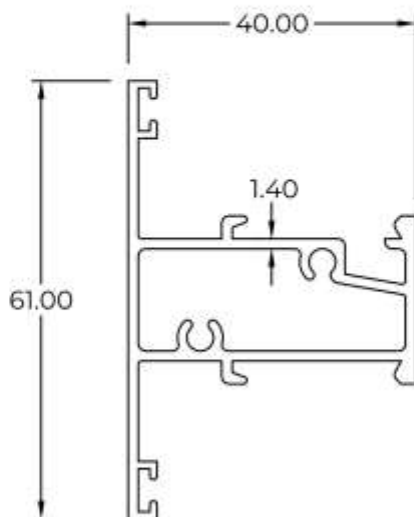
- For top hung / small windows
- Max 600 MM width / height



Inner
15505
 WT : 0.677 KG/M

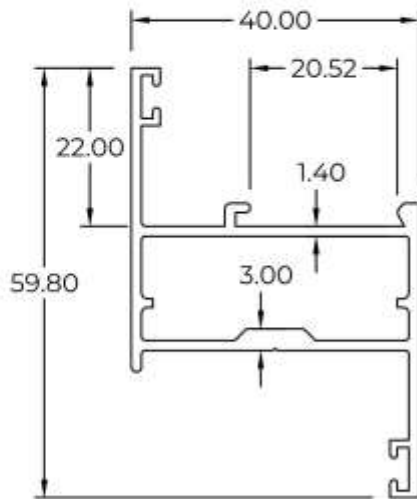


Mullion
15503A
 WT : 0.784 KG/M

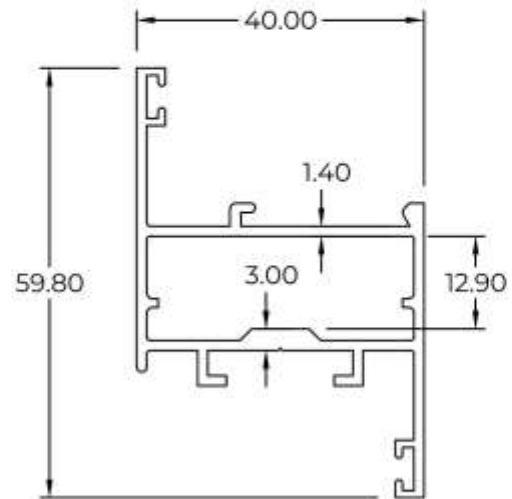


Transom
15503
 WT : 0.790 KG/M

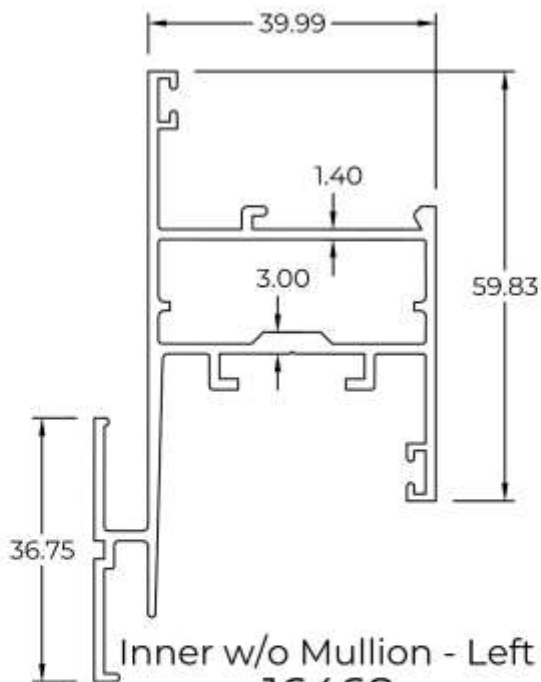
Casement Window AW3-70/80.BO



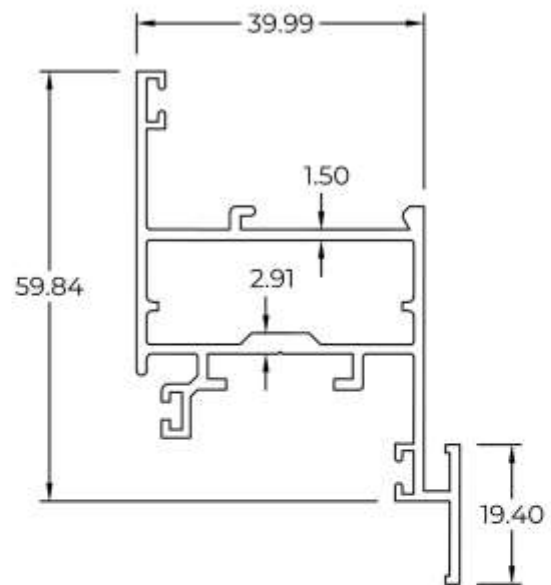
Inner
16465
 WT : 0.725 KG/M



Inner with Euro Groove
16466
 WT : 0.782 KG/M

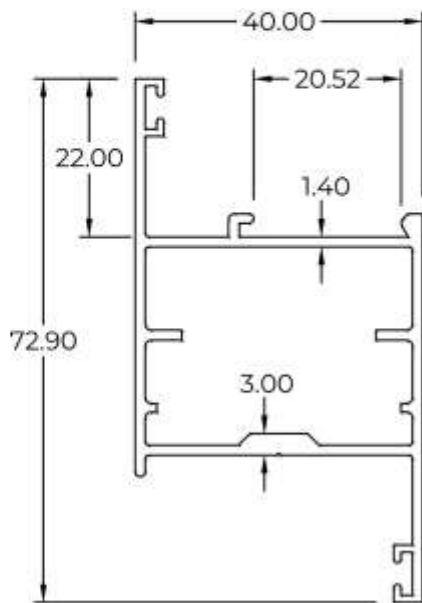


Inner w/o Mullion - Left
16468
 WT : 1.098 KG/M

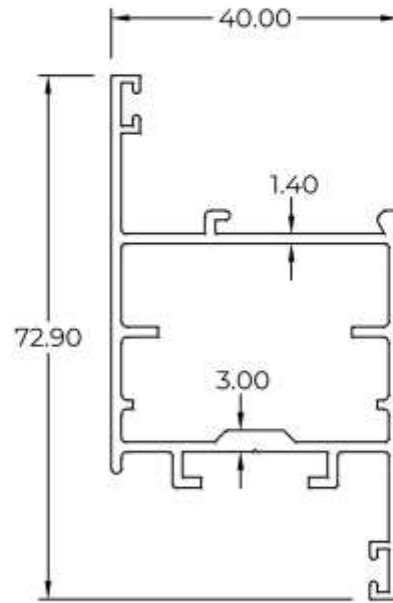


Inner w/o Mullion - Right
16467
 WT : 0.929 KG/M

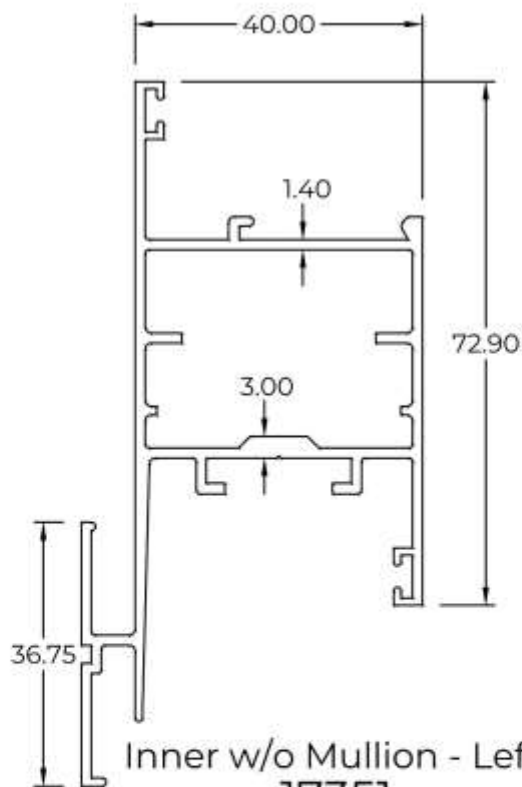
Casement Window AW3-70/80.BO



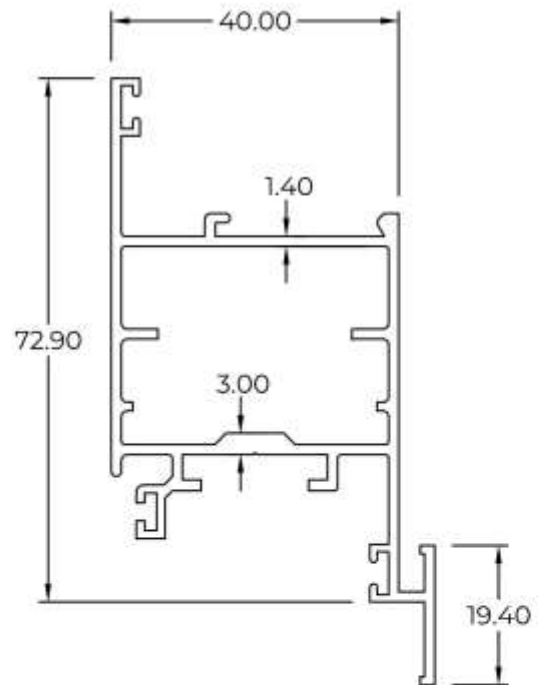
Inner
17348
 WT : 0.890 KG/M



Inner with Euro Groove
17349
 WT : 0.951 KG/M

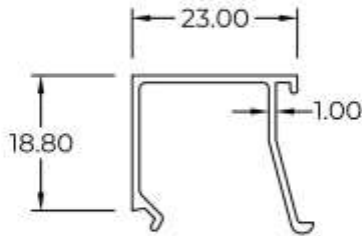


Inner w/o Mullion - Left
17351
 WT : 1.275 KG/M



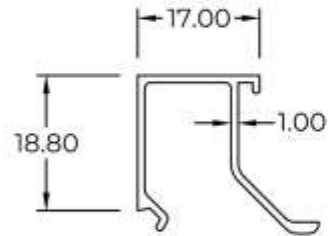
Inner w/o Mullion - Right
17350
 WT : 1.101 KG/M

Casement Window AW3-70/80.BO



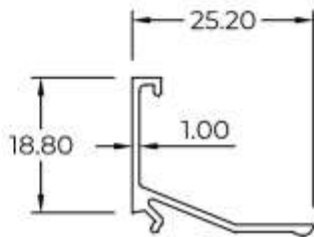
**Beading
 15508**

WT : 0.197 KG/M
 Glass Thk: 6 - 8 mm



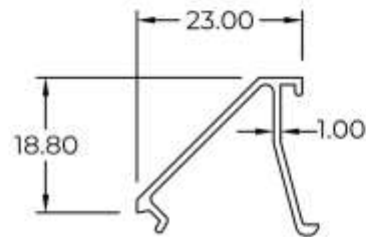
**Beading
 15672**

WT : 0.194 KG/M
 Glass Thk: 10 - 14 mm



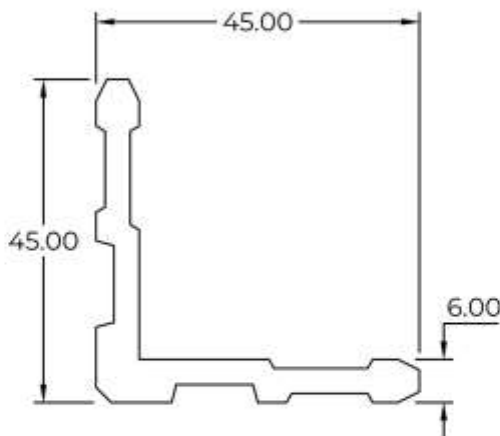
**Beading
 CA570**

WT : 0.153 KG/M
 Glass Thk: 24 mm (Double Glazing)



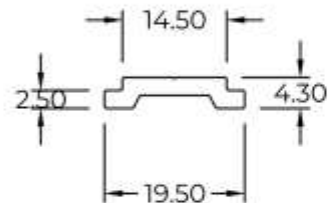
**45° Beading
 15894**

WT : 0.189 KG/M
 Glass Thk: 6 - 8 mm



**Inner Bracket (for 15505)
 15507A**

WT : 1.013 KG/M



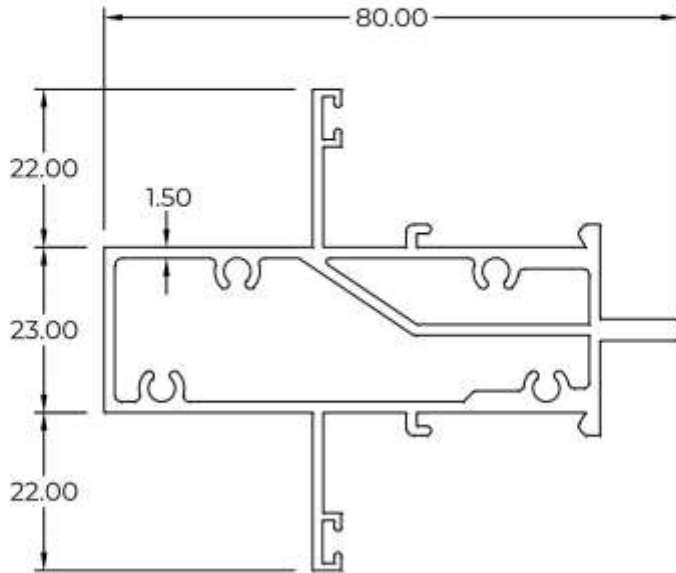
**Euro Groove Adaptor
 010128**

WT : 0.160 KG/M

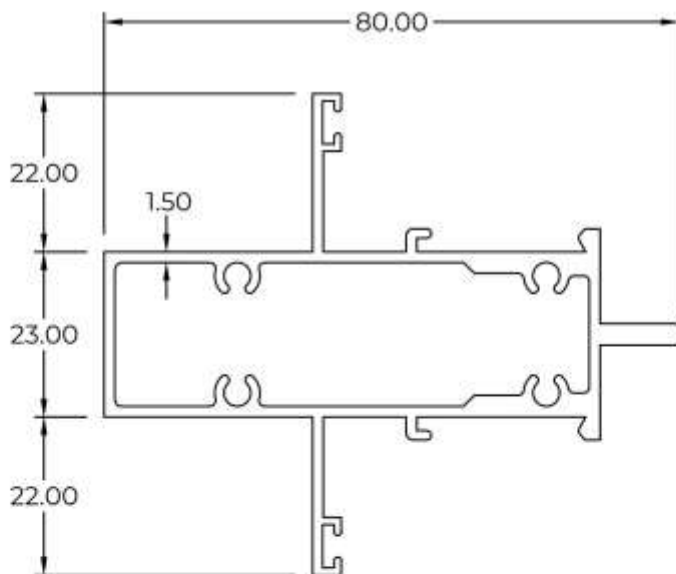
Casement Window AW3-80.B0

Recommended

- To match with SD80 Sliding Series



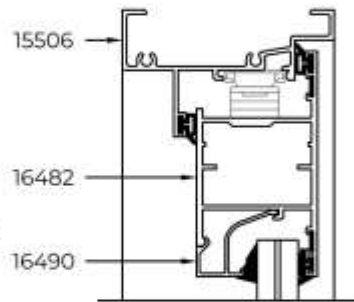
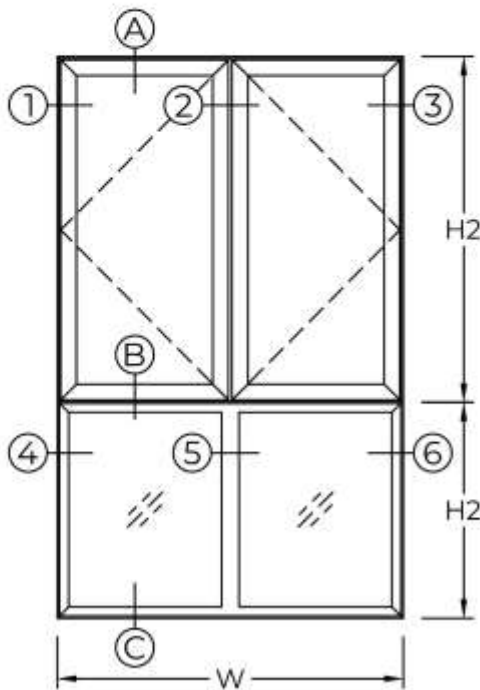
Transom
17206
WT : 1.556 KG/M



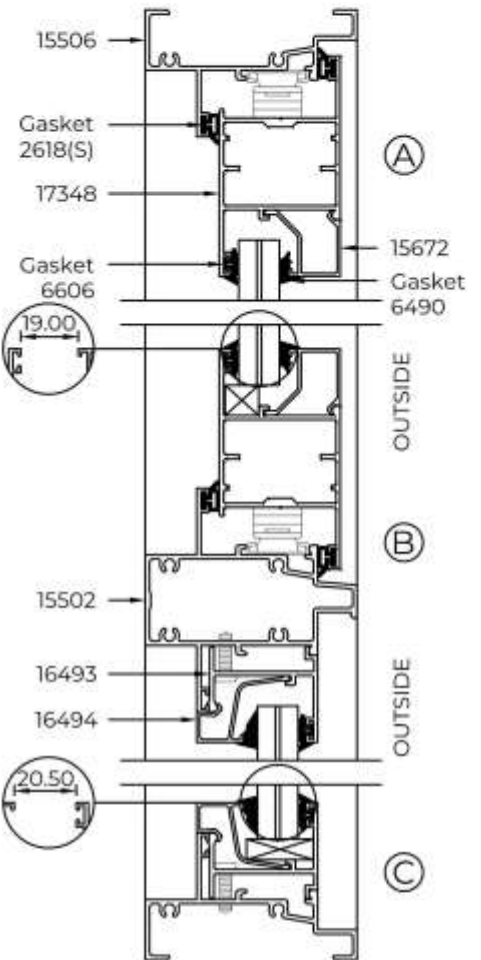
Mullion
17206A
WT : 1.345 KG/M

Casement Window AW3-70.BO

Casement with Fixed Panels



Option: Inner from AW6 for beading inside

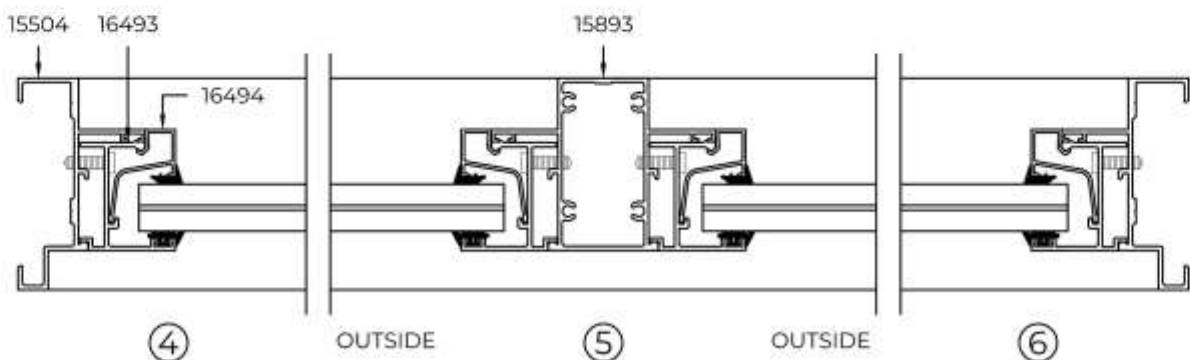
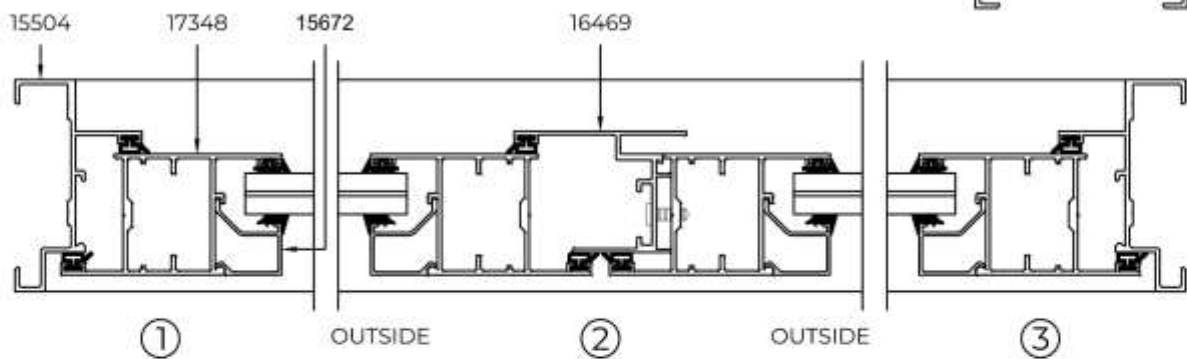


Recommended

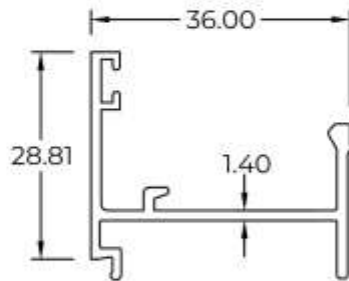
- H1: 1600 MM
- H2: 1000 MM
- W: 1600 MM
- Glass Thk: 6 - 24 MM

Key Features

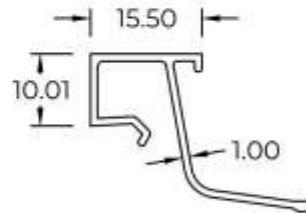
- ✓ Standard 70 mm outer
- ✓ Flushed adaptor to fit 13.52 mm glass thickness for beading inside
- ✓ Options for 3 types of inner size



Casement Window AW3-70/80.BO



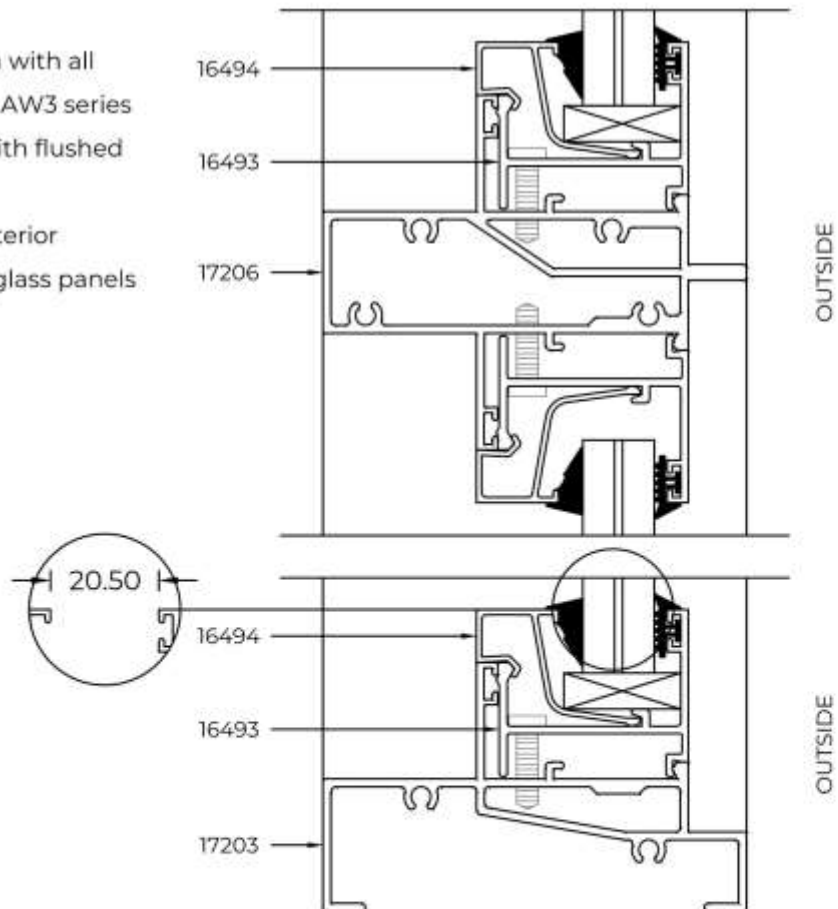
**Adaptor
 16493**
 WT : 0.390 KG/M



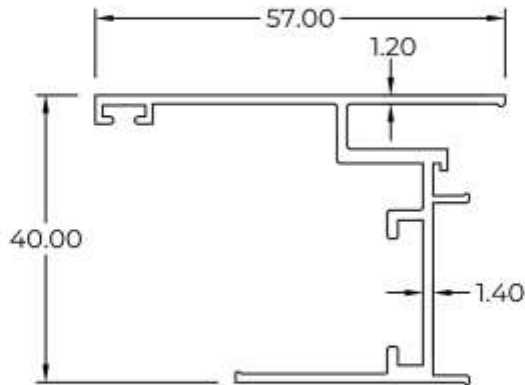
**Adaptor Beading
 16494**
 WT : 0.192 KG/M
 Glass Thk : 13.52 - 15.52 mm

Key Features

- ✓ Adaptor suitable to match with all outer & mullion profiles in AW3 series
- ✓ Beading Inside Adaptor with flushed design
- ✓ Prevent water flow into interior
- ✓ Allow for easy removal of glass panels for replacement



Casement Window AW3-70/80.BO



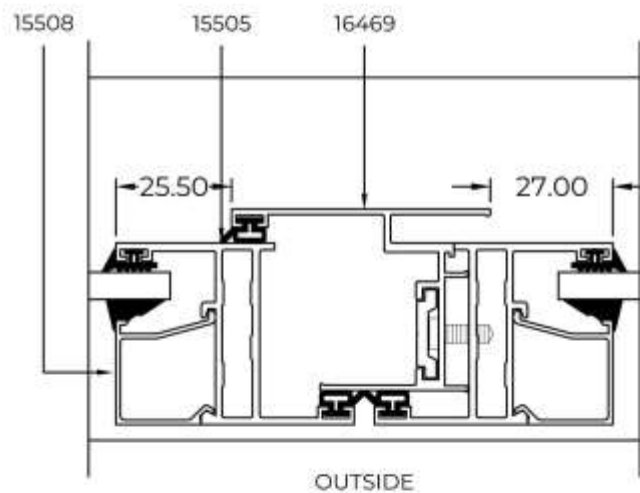
Key Features

- ✓ Add on adaptor for dummy mullion, suitable for inner sizes
- ✓ Simplified fabrication process
- ✓ Designed to reduce water seepage
- ✓ Allow for multi-point lock or flush bolt with euro profile

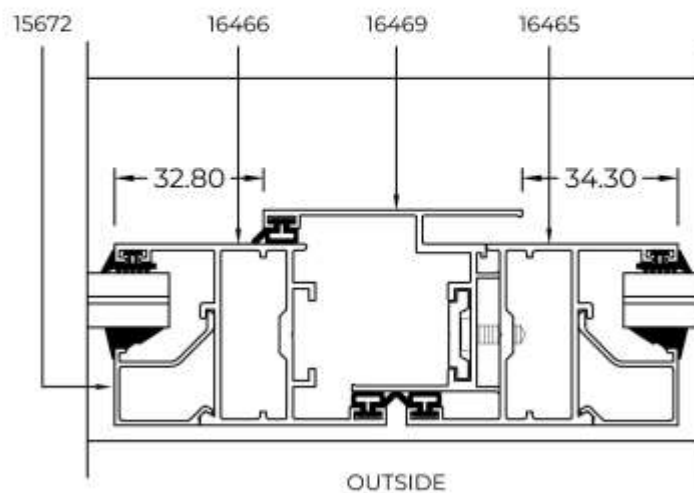
Mullion Adaptor 16469

WT : 0.607 KG/M

① Assembly with Inner 15505



② Assembly with Inner 16466 & 16465

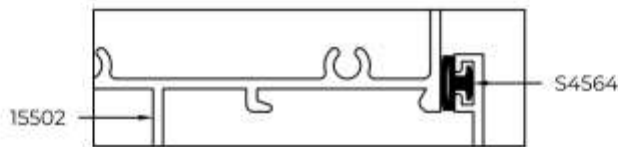


Casement Window AW3 Hardware

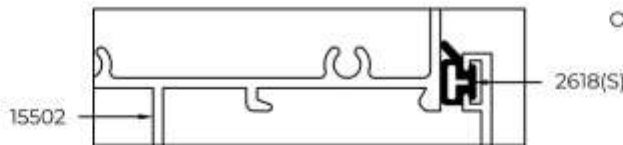


Corner Joint
 MS-331

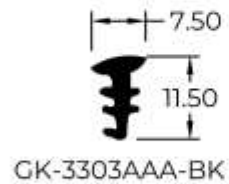
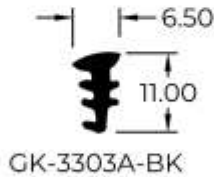
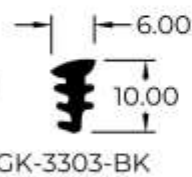
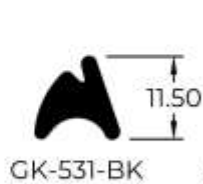
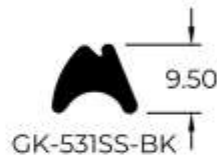
Gasket



For all outer and inner profiles, transom and mullion.



Option for all outer and inner profiles, transom and mullion.



Note: Images are for illustration purposes only.