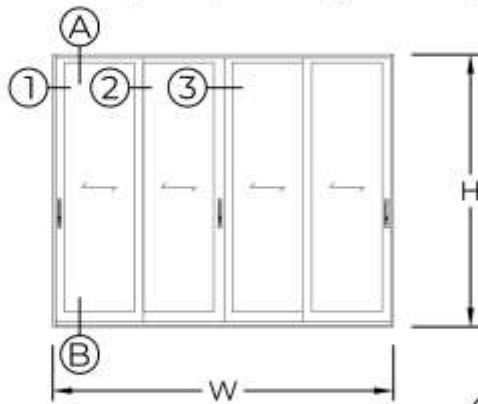


Sliding Door SD80-I80.19G

Four-leaf, Bi-parting Sliding Door



Recommended

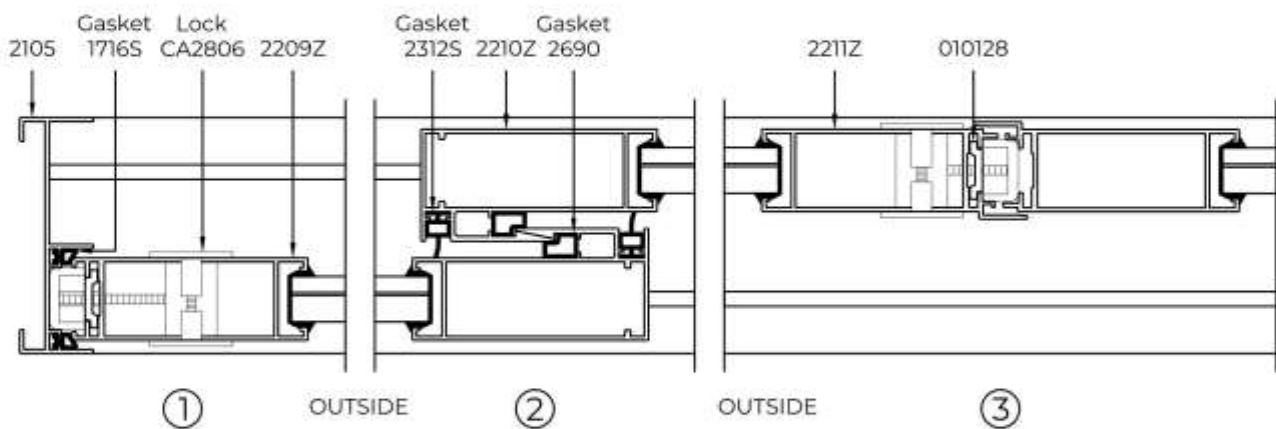
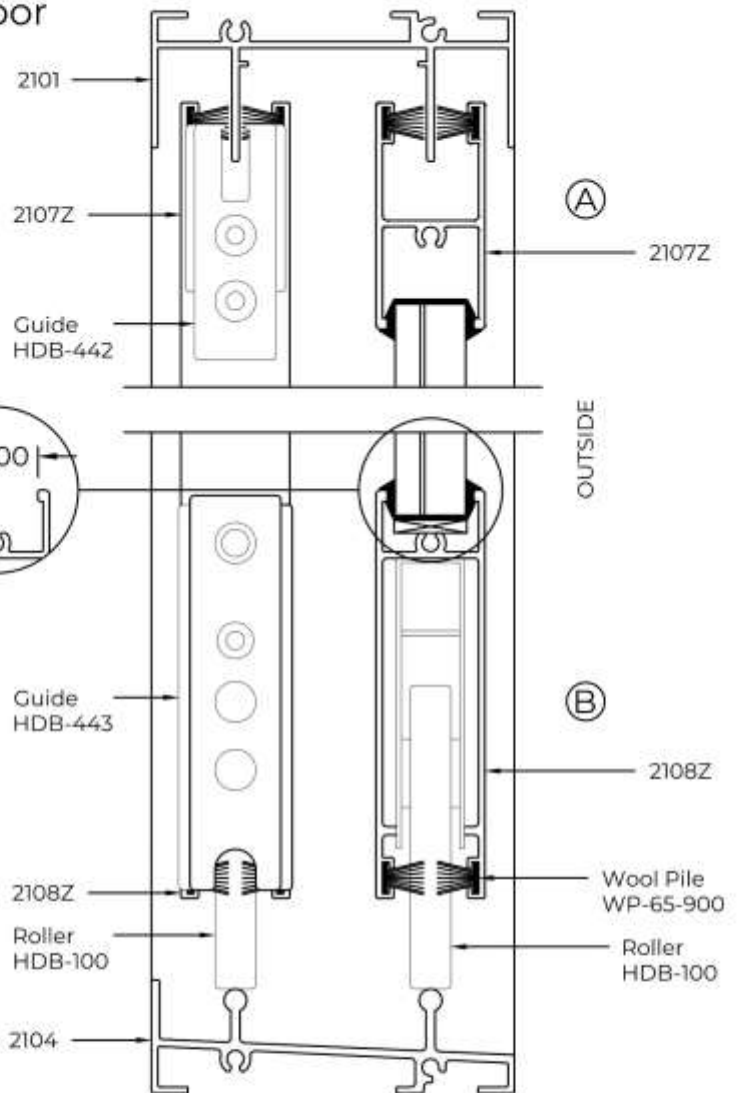
H: 2400 MM

W: 3200 MM

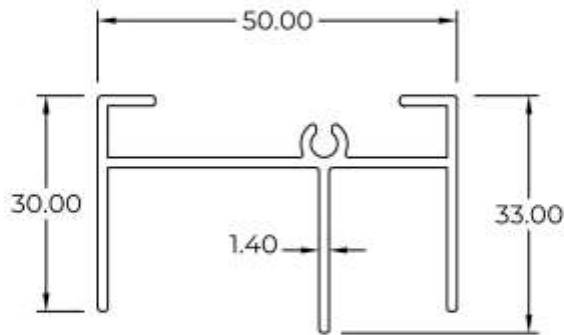
Glass Thk: 13.52 MM

Key Features

- ✓ Designed for laminated sliding windows / doors
- ✓ Sizes available include [55 / 80MM] width

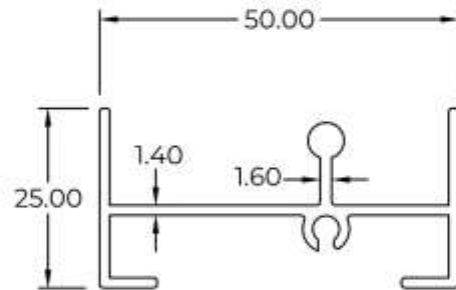


Sliding Series SD80 (1-Track / 2-Track)



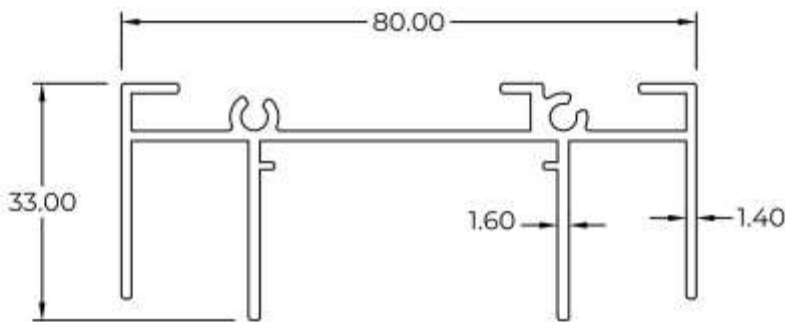
Outer Top (One Track)
2125

WT : 0.589 KG/M



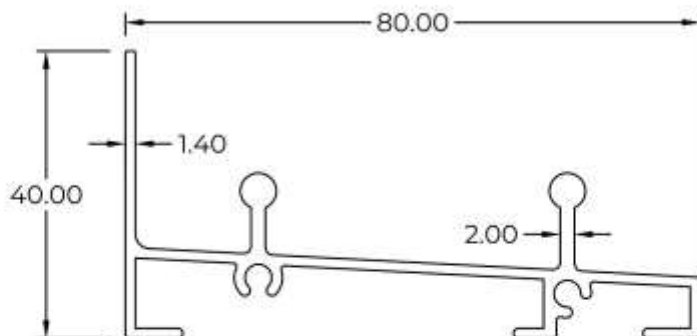
Outer Bottom (One Track)
2126

WT : 0.540 KG/M



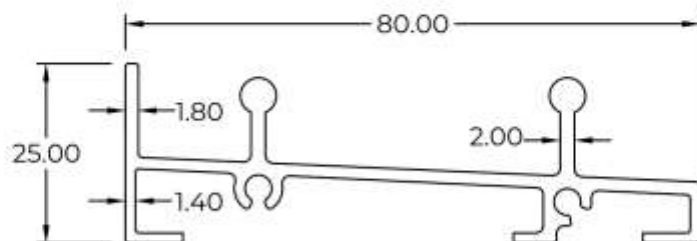
Outer Top
2101

WT : 0.931 KG/M



Outer Bottom
 (for Window)
2106

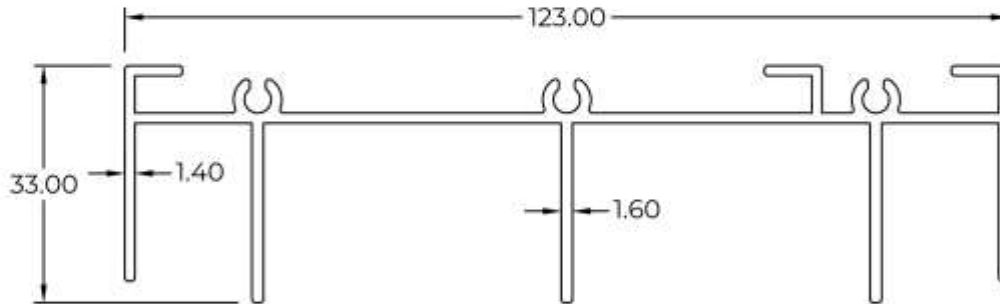
WT : 0.831 KG/M



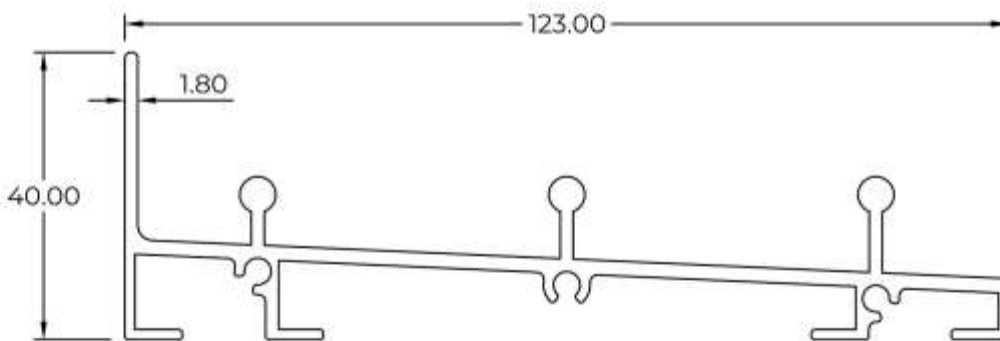
Outer Bottom
 (for Door)
2104

WT : 0.910 KG/M

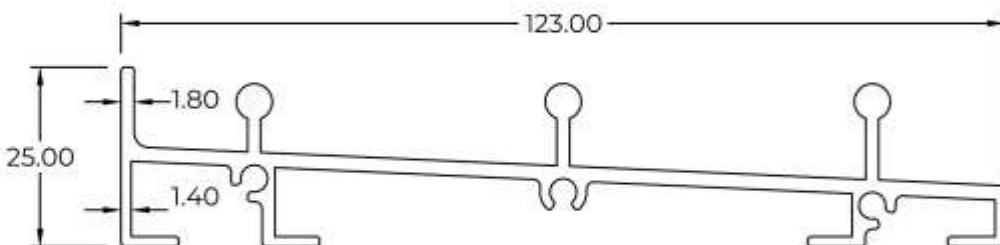
Sliding Series SD80 (3-Track)



Outer Top
2131
WT : 1.238 KG/M

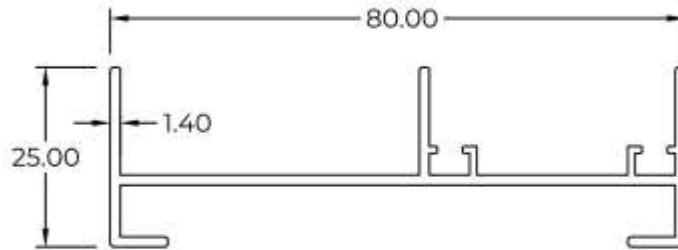


Outer Bottom
(for Window)
2134
WT : 1.374 KG/M

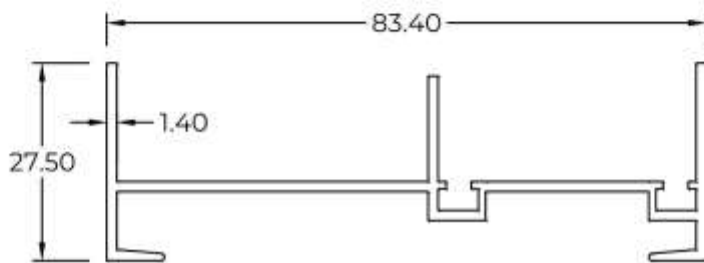


Outer Bottom
(for Door)
2132
WT : 1.385 KG/M

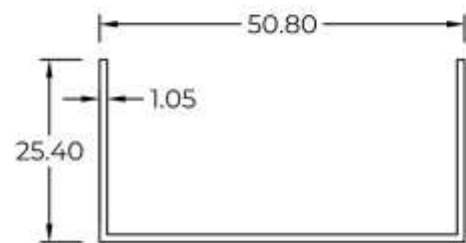
Sliding Series SD80 (Vertical Sections)



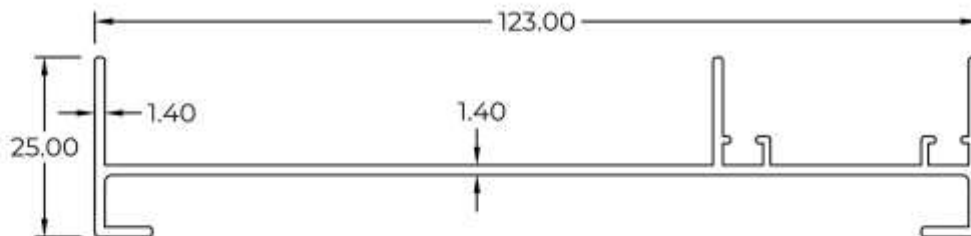
Outer Vertical
2105
 WT : 0.621 KG/M



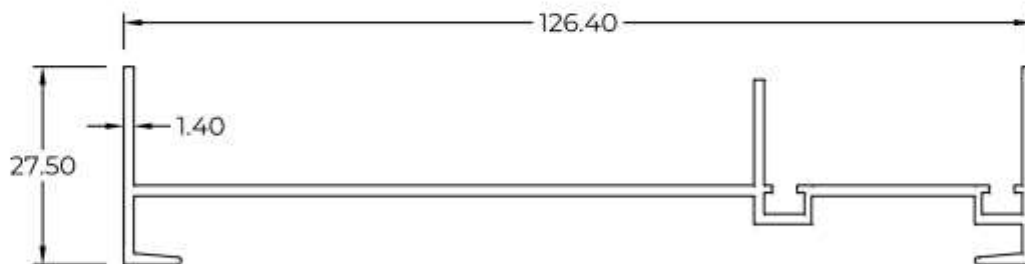
Outer Vertical
17205
 WT : 0.682 KG/M



U Channel
UDD201010
 WT : 0.270 KG/M



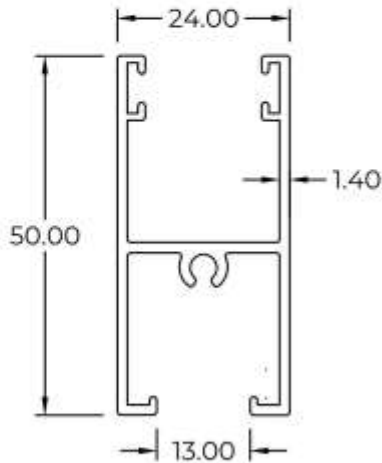
Outer Vertical
2133
 WT : 0.784 KG/M



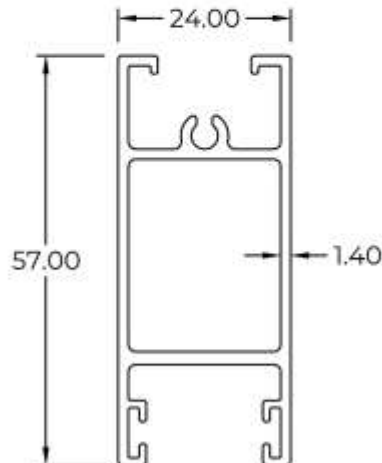
Outer Vertical
17355
 WT : 0.881 KG/M

Sliding Series SD80

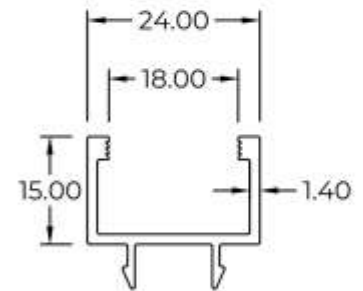
Top & Bottom Profiles 13 mm Glazing Gap



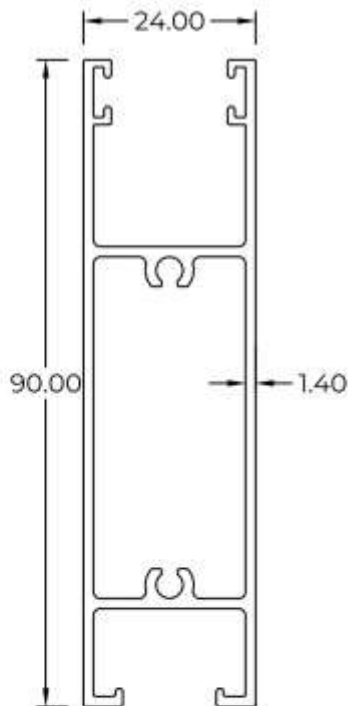
**Inner Top
 2107**
 WT : 0.584 KG/M



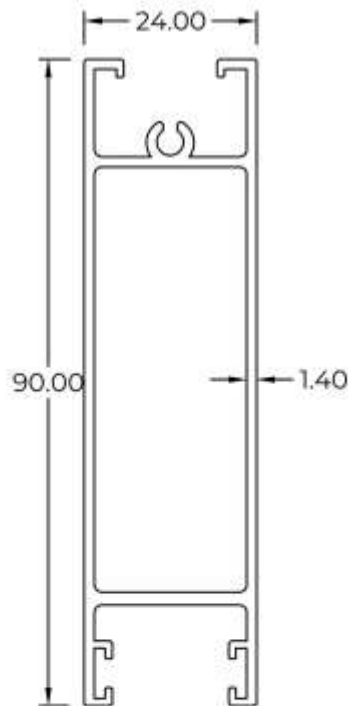
**Inner Bottom
 2108W**
 WT : 0.739 KG/M



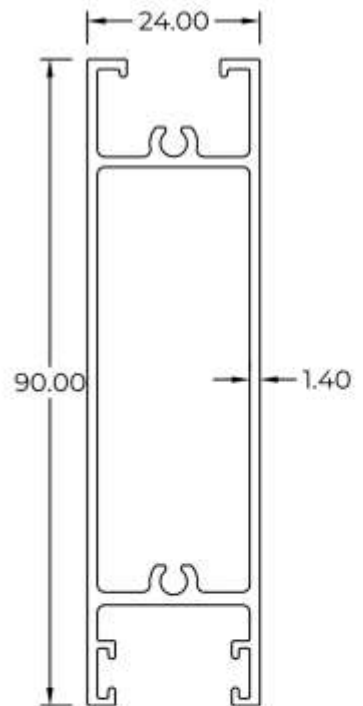
**Adaptor
 2130A**
 WT : 0.256 KG/M



**Inner Top
 2107Y**
 WT : 1.008 KG/M

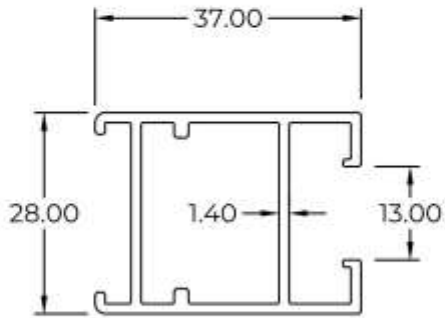


**Inner Bottom
 2108**
 WT : 0.990 KG/M

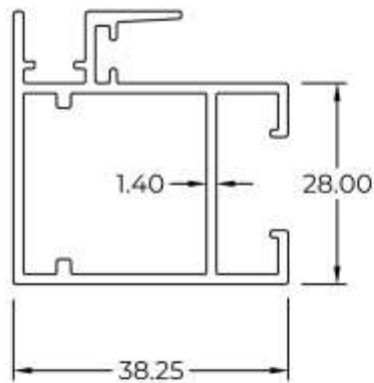


**Inner Bottom
 2108Y**
 WT : 1.022 KG/M

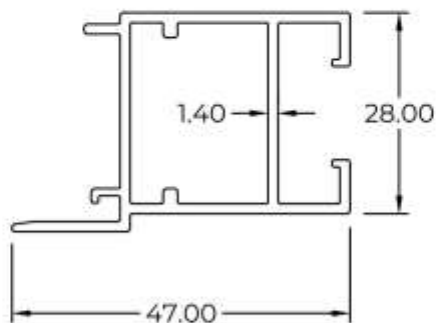
Sliding Window SD80-I37.13G



Inner
2109W
WT : 0.556 KG/M

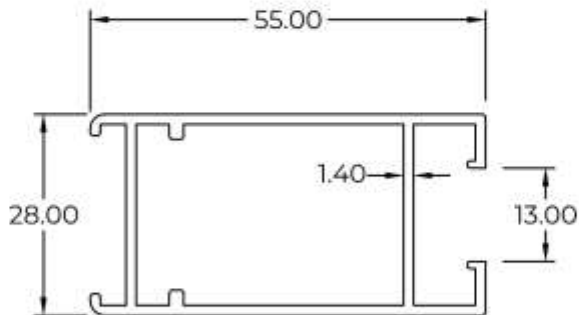


Inner with Hook
2110W
WT : 0.694 KG/M

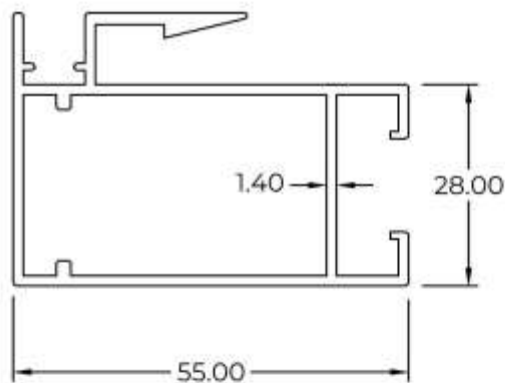


Inner w/o Hook
2111W
WT : 0.605 KG/M

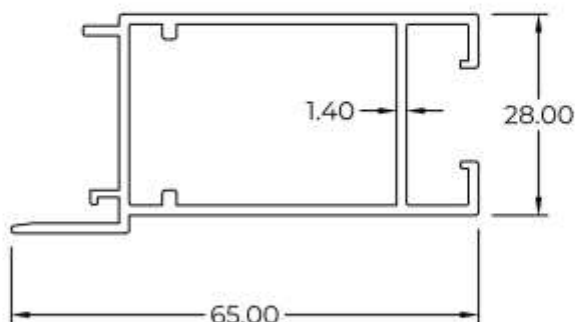
Sliding Window SD80-I55.13G



Inner
2109
WT : 0.690 KG/M

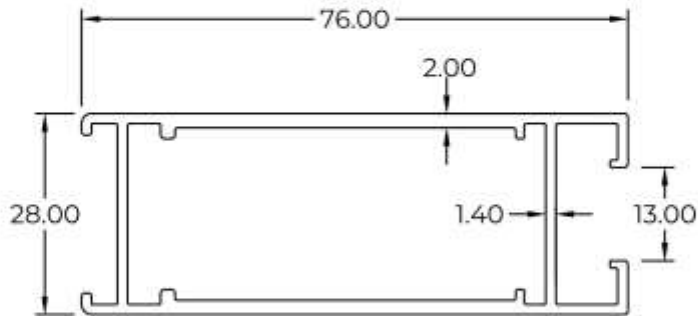


Inner with Hook
2110
WT : 0.888 KG/M

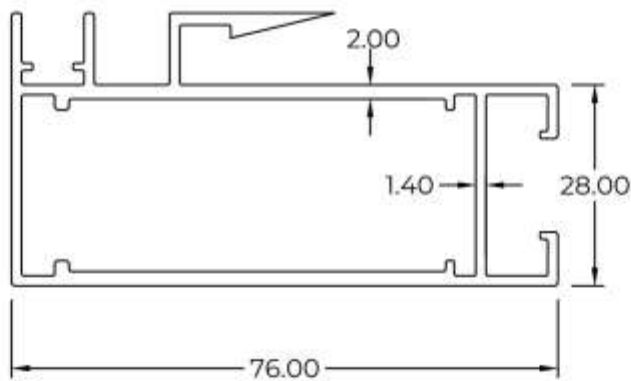


Inner w/o Hook
2111
WT : 0.742 KG/M

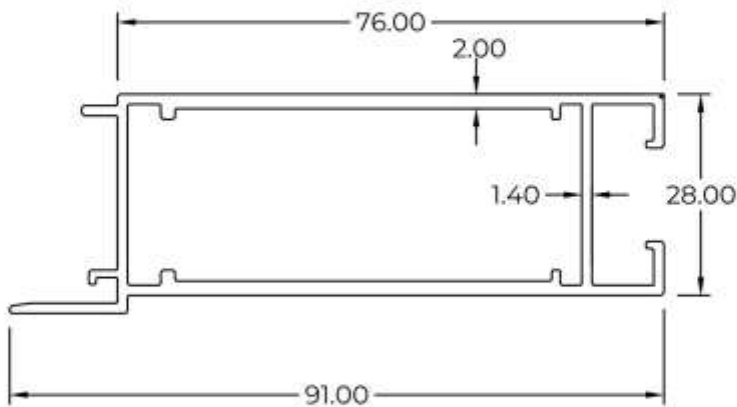
Sliding Door SD80-I76.13G



Inner
2209W
WT : 1.020 KG/M

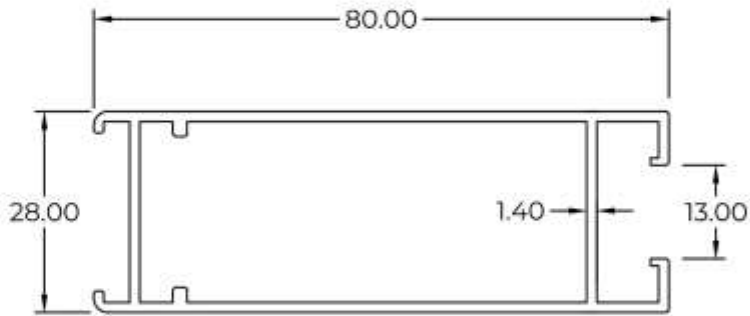


Inner with Hook
2210W
WT : 1.266 KG/M

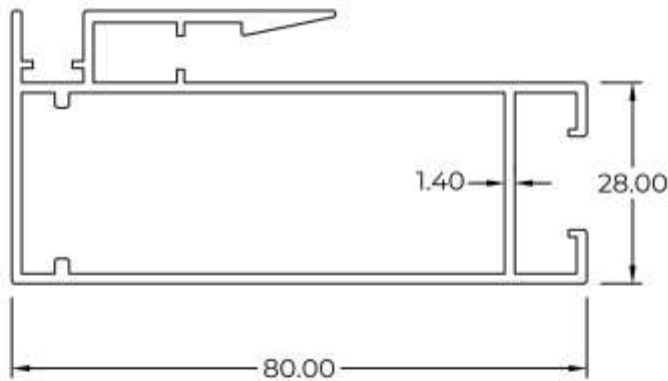


Inner w/o Hook
2211W
WT : 1.123 KG/M

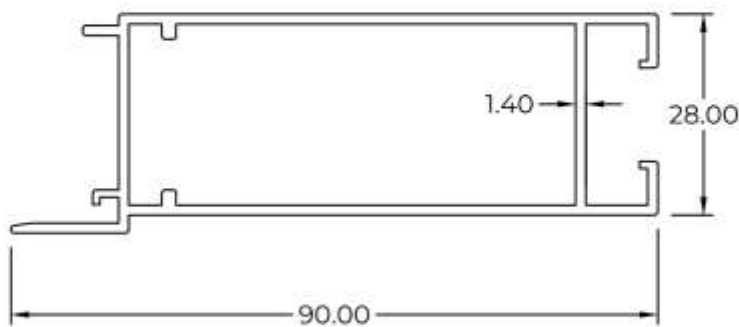
Sliding Door SD80-I80.13G



Inner
2209
WT : 0.880 KG/M

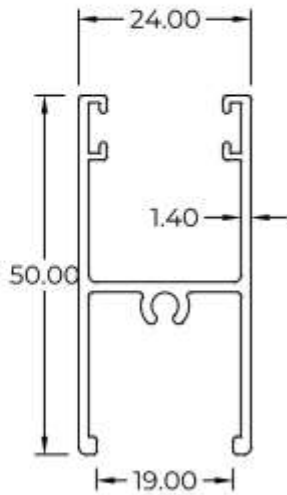


Inner with Hook
2210
WT : 1.136 KG/M

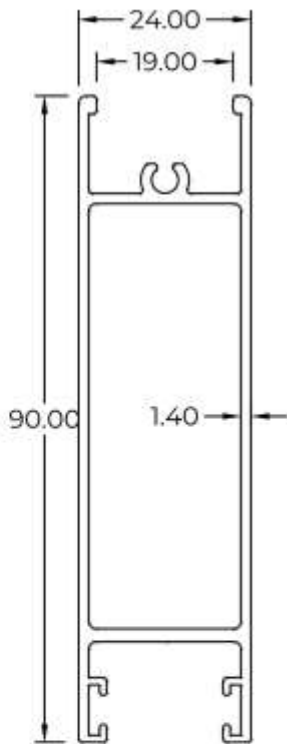


Inner w/o Hook
2211
WT : 0.931 KG/M

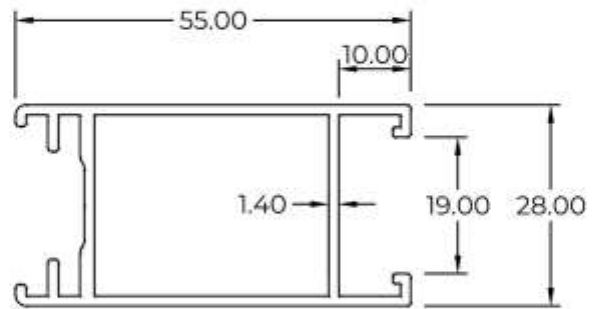
Sliding Window SD80-I55.19G



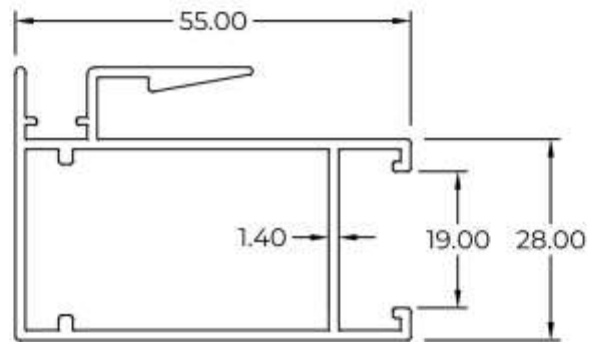
Inner Top
2107Z
 WT : 0.555 KG/M



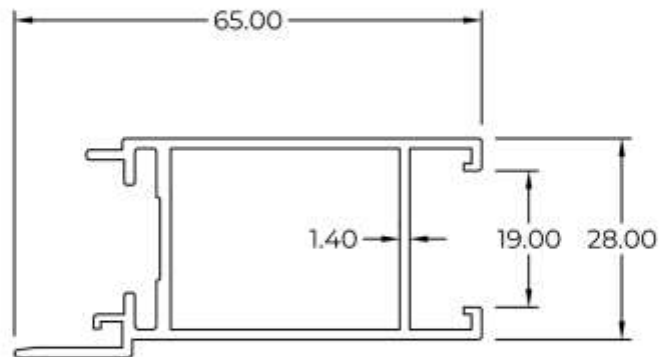
Inner Bottom
2108Z
 WT : 0.963 KG/M



Inner
2109Z
 WT : 0.713 KG/M

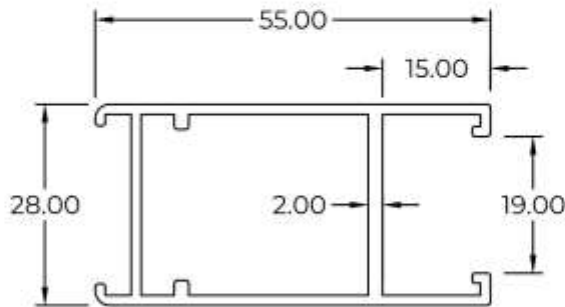


Inner with Hook
2110Z
 WT : 0.858 KG/M

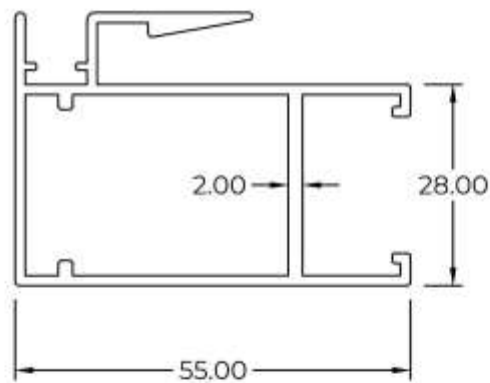


Inner w/o Hook
2111Z
 WT : 0.765 KG/M

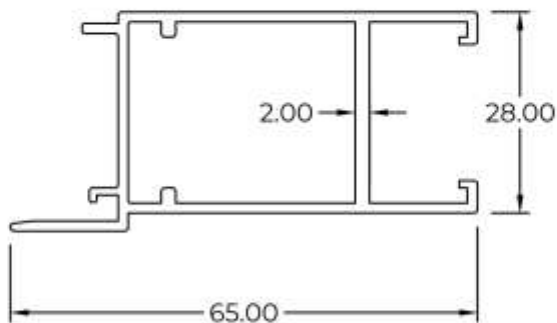
Sliding Window SD80-I55.19G



Inner
2112Z
WT : 0.710 KG/M

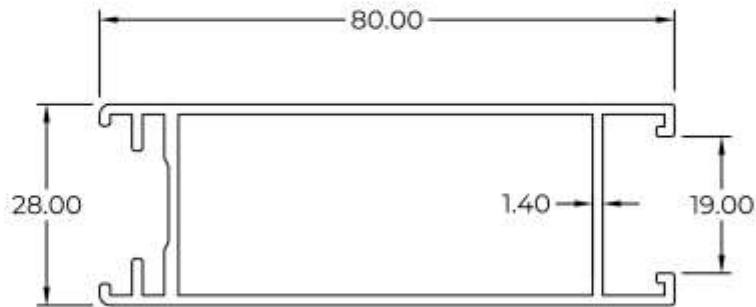


Inner w/ Hook
2113Z
WT : 0.899 KG/M

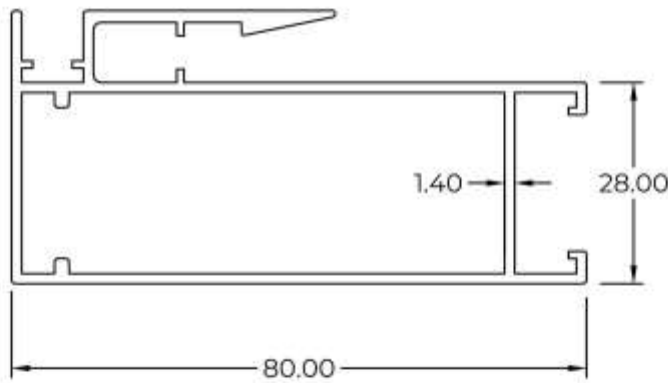


Inner w/o Hook
2114Z
WT : 0.759 KG/M

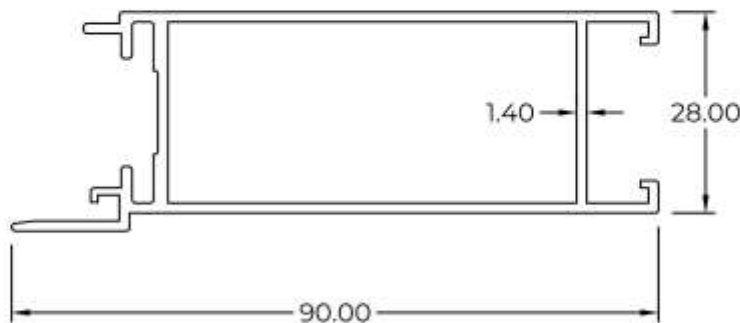
Sliding Door SD80-I80.19G



Inner
2209Z
WT : 0.902 KG/M

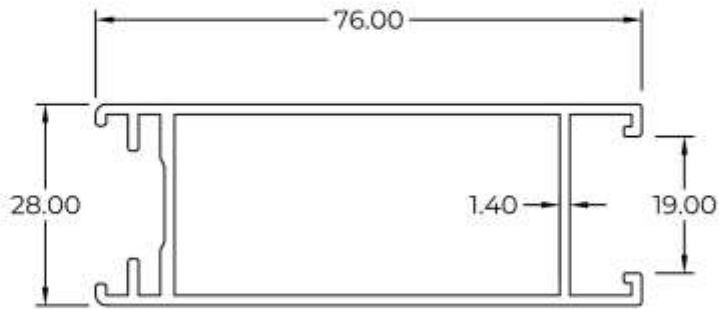


Inner with Hook
2210Z
WT : 1.112 KG/M

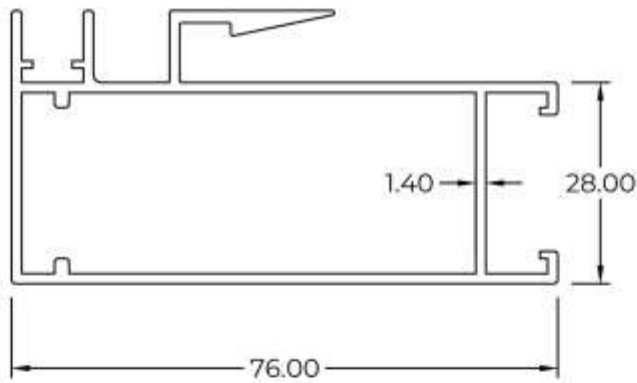


Inner w/o Hook
2211Z
WT : 0.952 KG/M

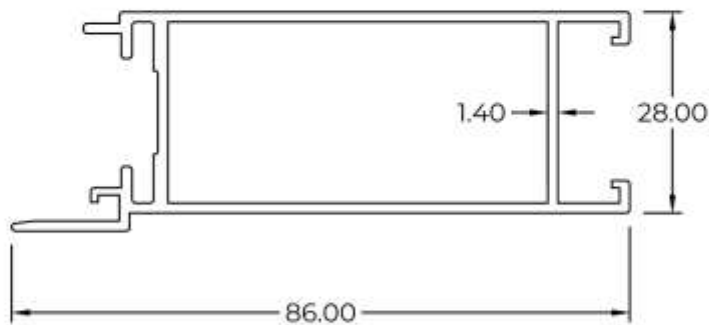
Sliding Door SD80-I76.19G



Inner
2309
WT : 0.872 KG/M

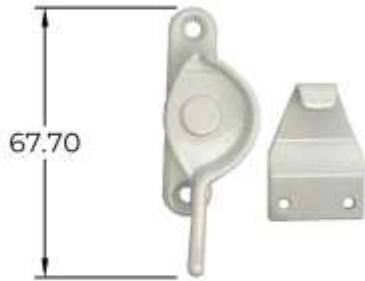


Inner w/ Hook
2310
WT : 1.054 KG/M



Inner w/o Hook
2311
WT : 0.921 KG/M

SD80 Hardware



Crescent Lock
LK-350-LH/RH
 Colour: Black / White / Silver



Crescent Lock
LK-310-LH/RH
 Colour: Silver / Bronze



Crescent Fastener
LK-4819-LH/RH
 Colour: Black



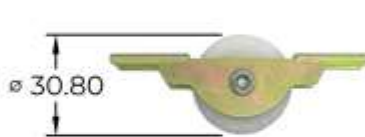
Crescent Lock
LK-320-LH/RH
 Colour: Black / Bronze / Silver



Door Lock
LK-A5-NA
 without key



Door Lock
LK-A5K-BK
 with key



Window Roller
RD-W34
 with metal housing



Door Roller
HDB-200
 without bearing (50kg)



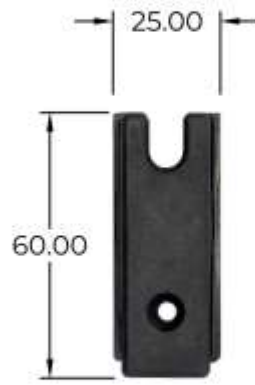
Door Roller
HDB-100
 without bearing (40kg)

Note: Images are for illustration purposes only.

SD80 Hardware



Inner Top Guide
 HDB-442
 for window / door



Inner Bottom Guide
 HDB-443S
 for window



Inner Bottom Guide
 HDB-443
 for door



GK-2535(S)-BK
 6 mm glass thk



GK-4717(S)-BK
 8 mm glass thk



GK-4475B-BK
 10 mm glass thk



GK-2312S-BK



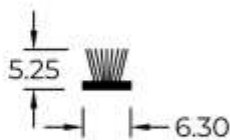
GK-2690-BK



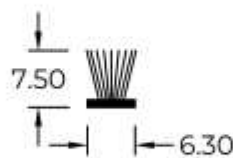
GK-1716S-BK



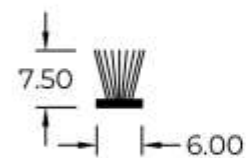
GK-5136-BK



WP-63-525-3P



WP-63-750-3P





WP-60-750-3P

Note: Images are for illustration purposes only.

Multi-point Lockset for Sliding Windows & Doors

For 28 mm Width Profiles

No.	Item Code	Image	Description
(1) LOCK BODY			
(a)	LK-CA2805-WH LK-CA2805-NA LK-CA2805-BK		<p>Chip Aik Multi-point Lock Body (without key)</p> <p><i>Flush-mounted handle with cast aluminium alloy lock body Match with accessories below.</i></p> <p>Colours: Black, Silver & White</p>
(b)	LK-CA2806-WH LK-CA2806-NA LK-CA2806-BK		<p>Chip Aik Multi-point Lock Body (with key)</p> <p><i>Flush-mounted handle with key for additional security. Lock body is made of cast aluminium alloy & key cylinder is made of chrome plated brass. Match with accessories below.</i></p> <p>Colours: Black, Silver & White</p>


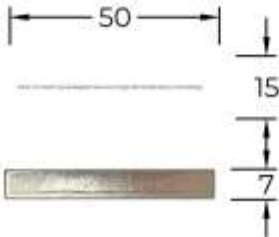

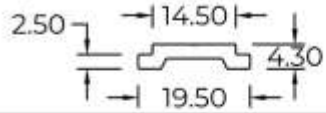

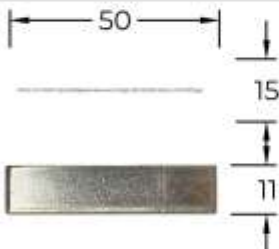
Key Features of Multi-Point Door Lock

- ✓ Ideal choice for > 2.4M height doors
- ✓ Two or more locking points for more secure locking
- ✓ Compatible with most systems - option to use for profiles with or without euro groove
- ✓ Locking indicator (green/red) indicates lock status at a glance
- ✓ Choice of without or with key for additional security
- ✓ Colours available: Black, White, Silver

Note: Images are for illustration purposes only.

Multi-point Lockset for Sliding Windows & Doors

For 28 mm Width Profiles

No.	Item Code	Image	Description
(2a) ACCESSORIES FOR PROFILES WITHOUT EURO GROOVE			
(i)	LK-G06-SS (for 28 mm width profiles)		<p>Transmission Rod with 2-point lock</p> <p>Stainless steel rod to suit profiles without euro groove. Match with Keeper (Height: 7 mm).</p> <p>Length: 600 mm</p>
(ii)	LK-J022A-CR Length: 50 mm Width: 15 mm Height: 7 mm		<p>Keeper</p> <p>2pcs required to match with stainless steel transmission rod.</p> <p>Material: Chrome plated zinc alloy</p>
(2b) ACCESSORIES FOR PROFILES WITH EURO GROOVE			
(i)	LK-J023-SS		<p>T-Pin</p> <p>Stainless steel T-pin. 1 T-pin per lockset.</p> <p>Match with adaptor for euro groove (PE010128).</p> 
(ii)	LK-J021-SS		<p>Keeper Pin</p> <p>Stainless steel pin for multi-locking points. Minimum 2 locking points.</p>
(iii)	L-J022-CR Length: 50 mm Width: 15 mm Height: 11 mm		<p>Keeper</p> <p>To pair with Keeper Pin.</p> <p>Material: Chrome plated zinc alloy</p>

Note: Images are for illustration purposes only.