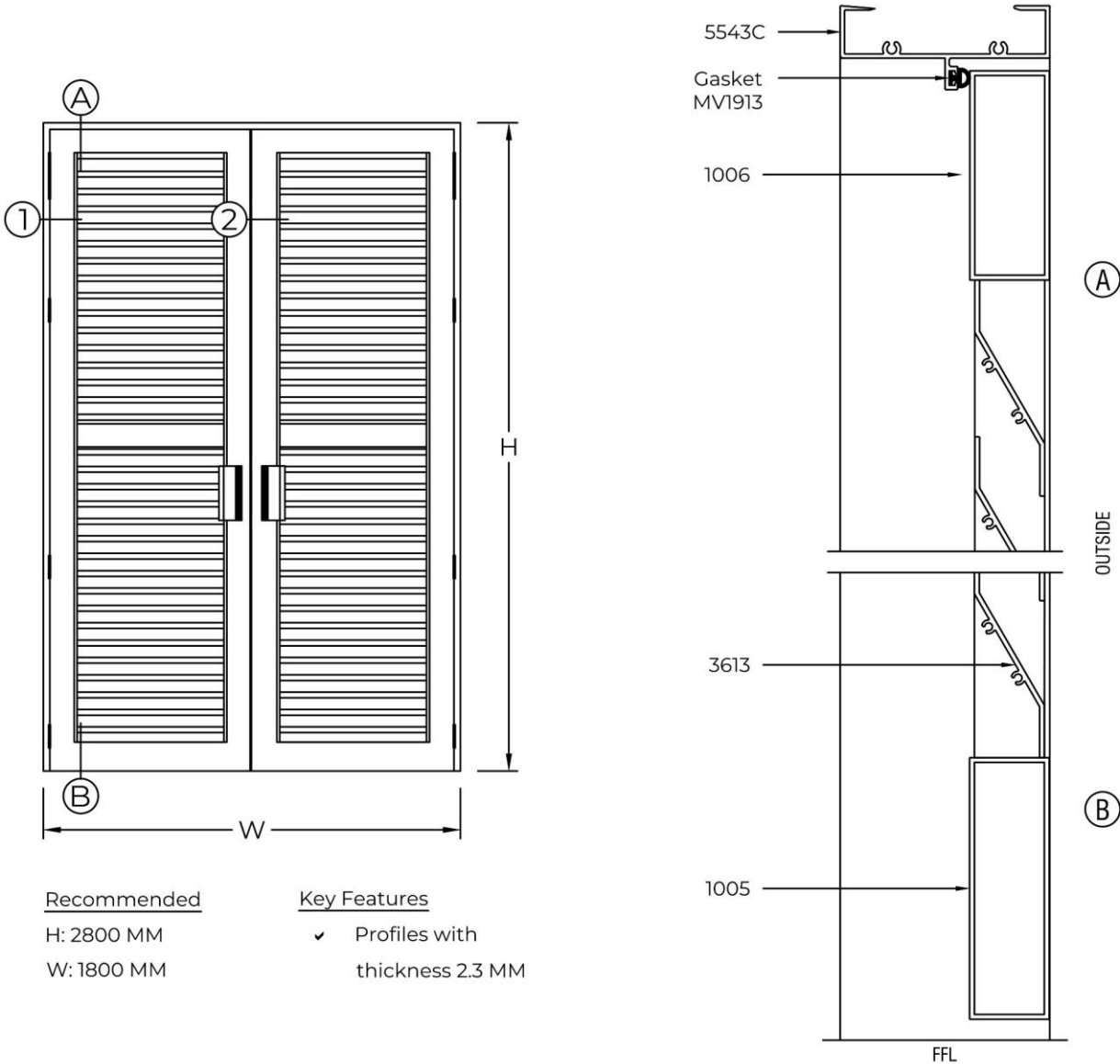


# Substation Louvre Door SS

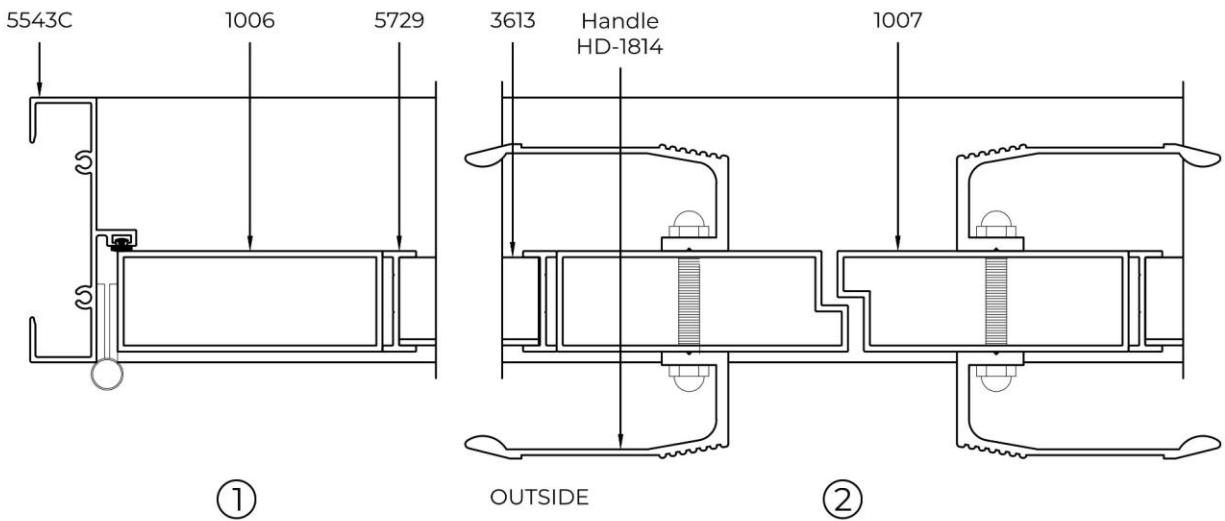


Recommended

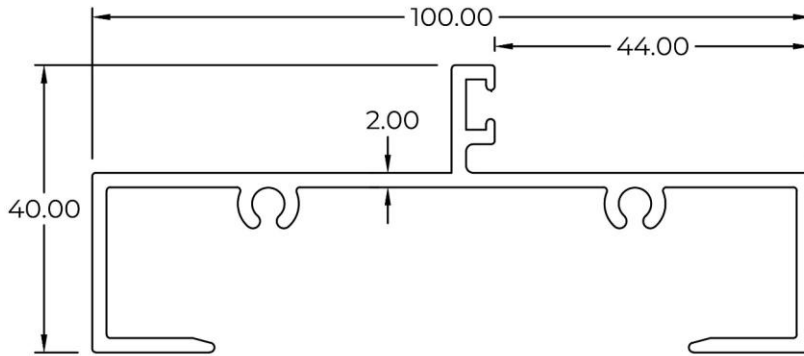
H: 2800 MM  
 W: 1800 MM

Key Features

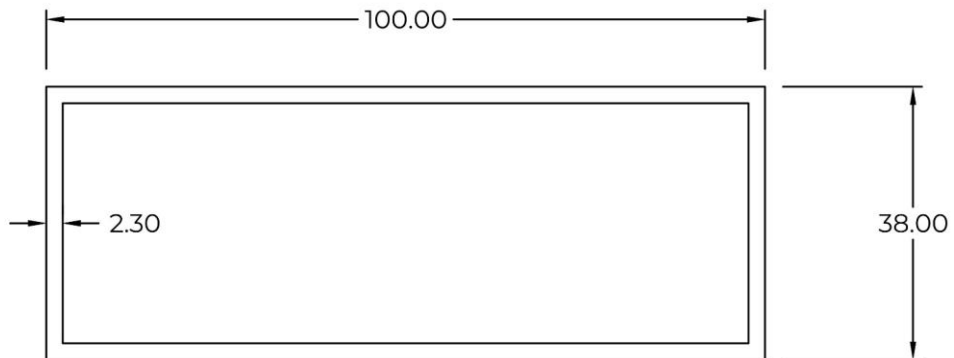
- ✓ Profiles with thickness 2.3 MM



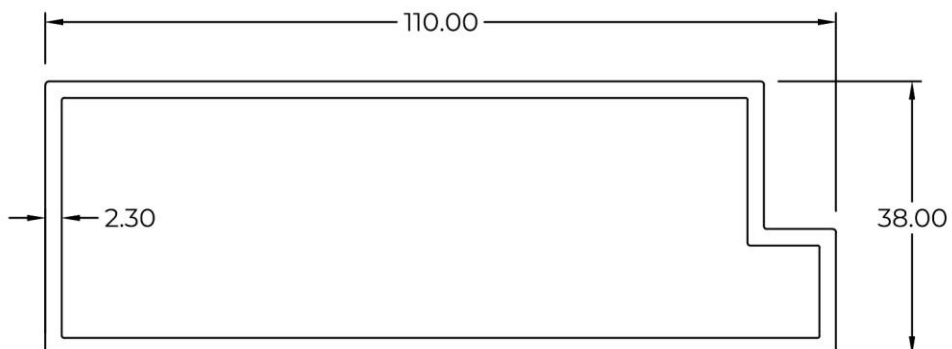
## Substation Louvre Door SS



Door Jamb  
**5543C**  
WT : 1.215 KG/M

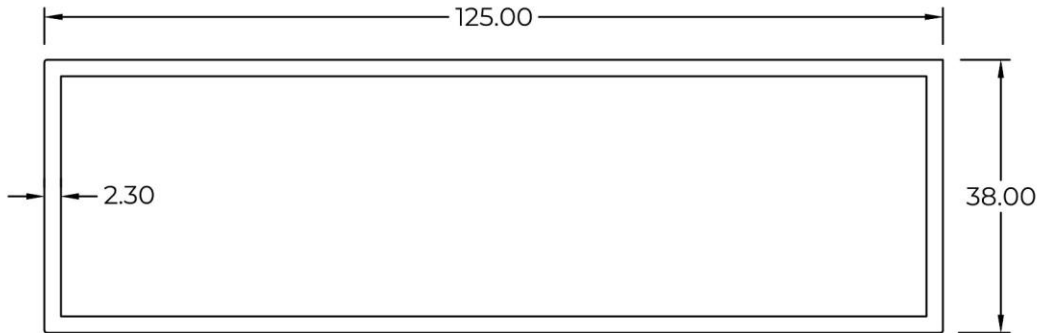


Door Frame  
**1006**  
WT : 1.663 KG/M



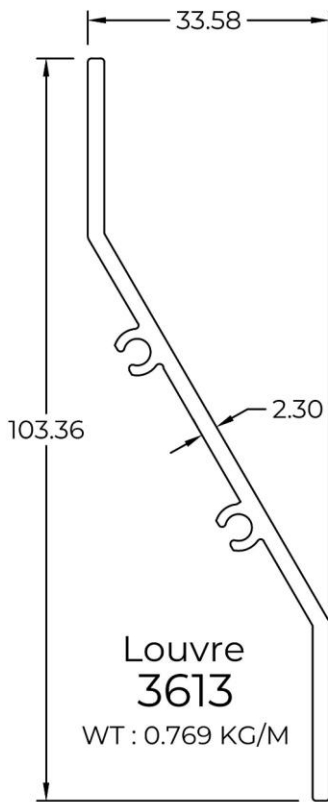
Door Vertical  
**1007**  
WT : 1.788 KG/M

# Substation Louvre Door SS



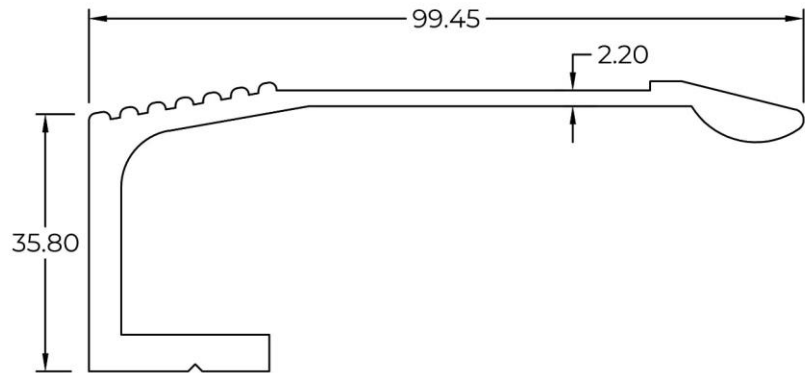
**Door Frame**  
**1005**

WT : 1.975 KG/M



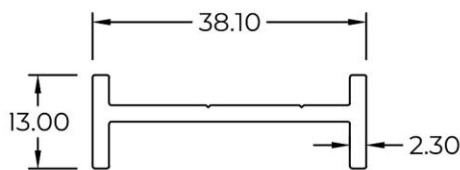
**Louvre**  
**3613**

WT : 0.769 KG/M



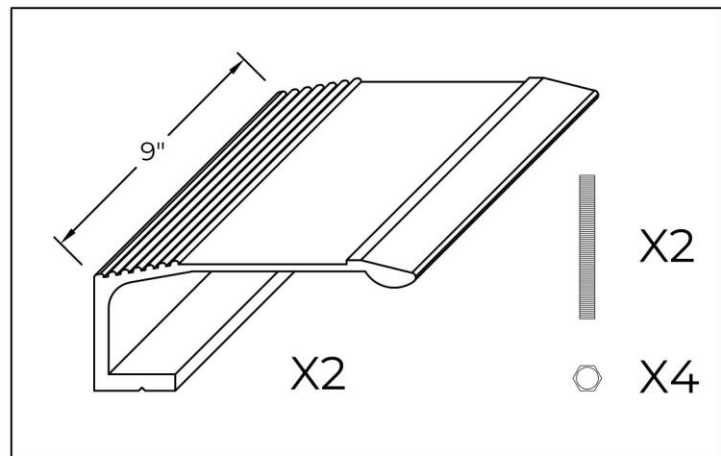
**Handle**  
**1814**

WT : 1.855 KG/M



**I-Bar**  
**5729**

WT : 0.399 KG/M



**HD-1814-MF/NA**

Swing Door Handle 9"  
 Incl. Bolts & Nuts