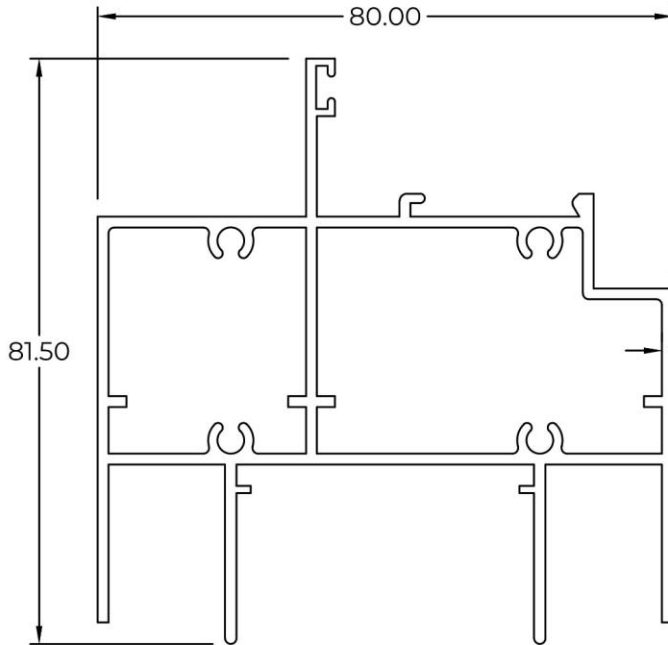
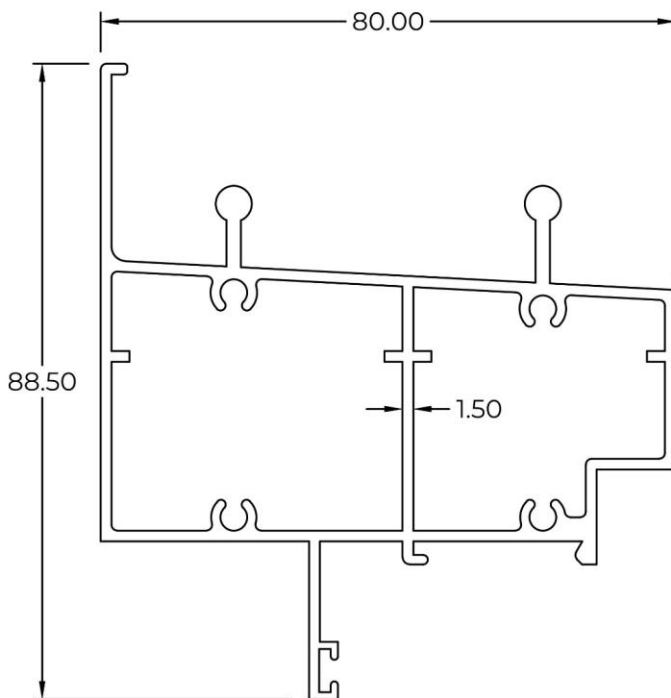


Casement AW3-80.BO with Sliding SD80 (2-Track)

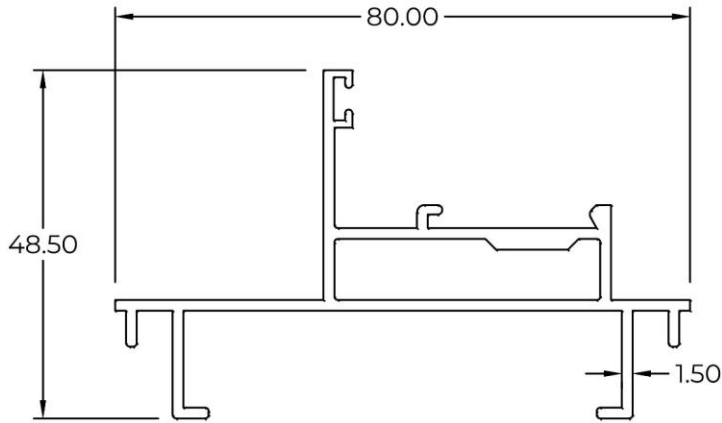


2-Track Outer Top
Interface Casement / Fixed
17202
WT : 1.821 KG/M

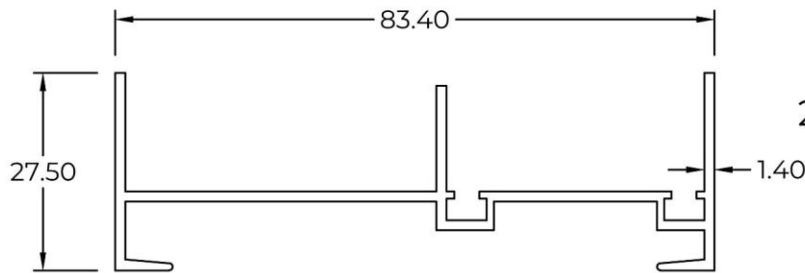


2-Track Outer Bottom
Interface Casement / Fixed
17201
WT : 1.784 KG/M

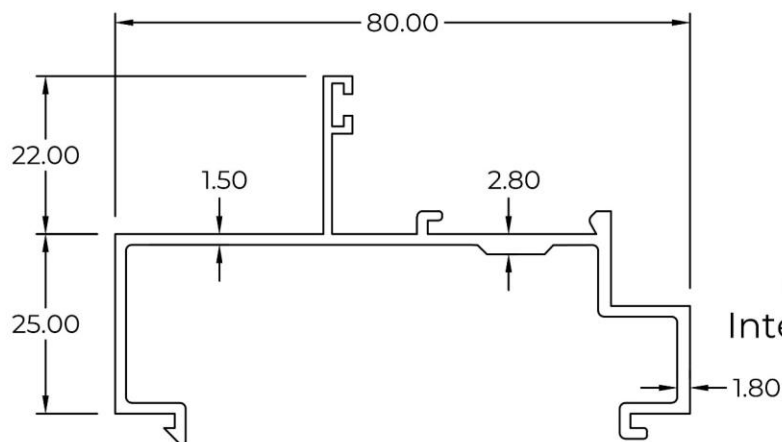
Casement AW3-80.BO with Sliding SD80 (2-Track)



2-Track Vertical with
 Casement / Fixed
17204
 WT : 0.972 KG/M

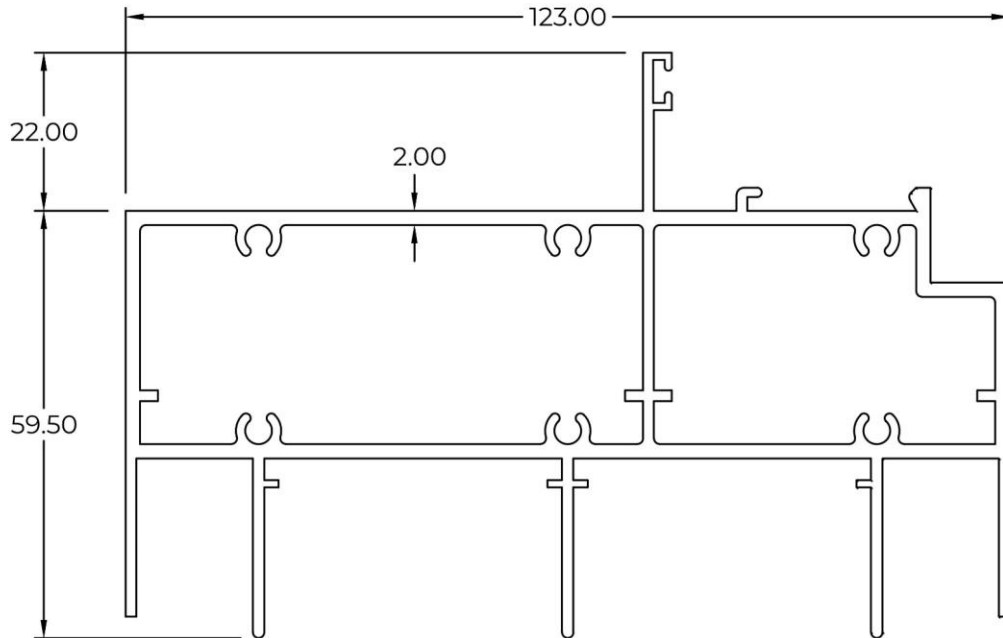


2-Track Outer Vertical
17205
 WT : 0.682 KG/M



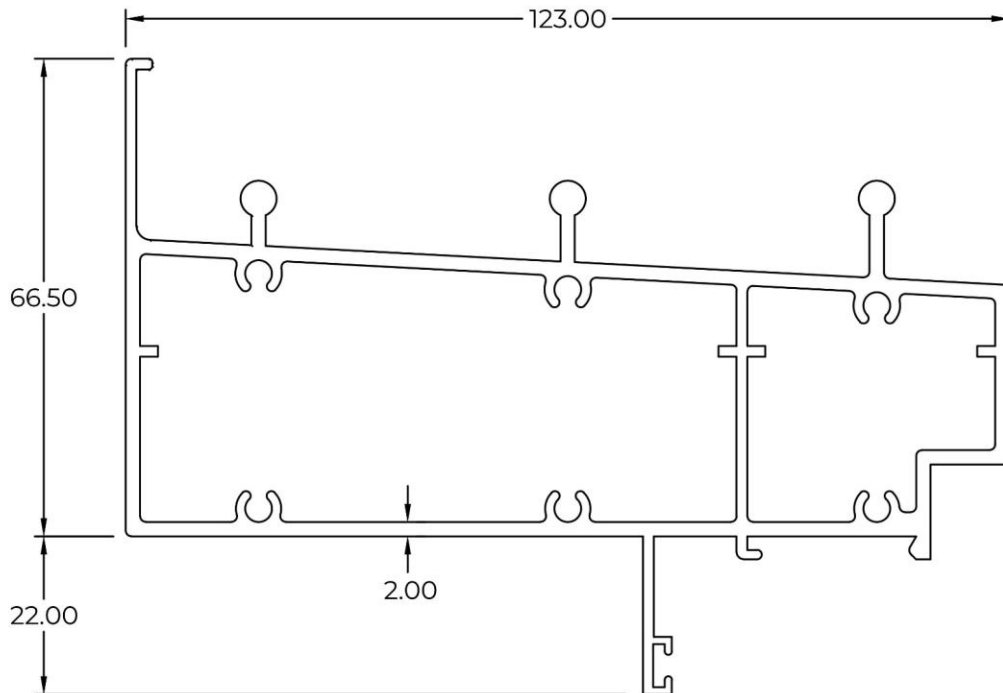
Casement / Fixed Outer
 Interface with 2-Track Vertical
17209
 WT : 0.833 KG/M

Casement AW3-123.BO with Sliding SD80 (3-Track)



3-Track Outer Top Interface
Casement / Fixed
17353

WT : 2.791 KG/M



3-Track Outer Bottom
Interface Casement / Fixed
17354

WT : 2.711 KG/M

Casement AW3-123.BO with Sliding SD80 (3-Track)

